



PRODUCT SPECIFICATIONS
2019 EDITION

Version for J&K Cabinetry CANADA

■ History

Our first **J&K Cabinetry** company was originated in Atlanta, Georgia back in 2003, with our goal of providing our customers with the highest quality of cabinets available at an affordable price. We are also the manufacturer for our own J&K's distinctive and stylish line of kitchen cabinets and bathroom vanities.

■ Products

All of J&K's cabinets are ready-to-assemble (RTA), ready-to-build (RTB), and semi-customizable to our customers' specific needs.

Our cabinets and vanities are constructed with 100% solid wood doors and frames, 1/2" to 5/8" thick plywood boxes, soft-close metal door hinges, full-extension drawers with soft-close metal glides and more. We insist on making all these 'optional upgrades' a necessary standard, efficiently improving the overall quality, functionality, durability and value of our products without adding the burden of higher prices for our customers.



Table of Contents

1	Door Styles & Finishes
3	Environmental Commitment
4	Finest Furniture Finishes
5	Superior Construction
6	Standard Features
7	J&K Specification & Nomenclature
8	J&K Cabinet Dimensions
9	Warranty
13	Maintenance & Care
14	Base Cabinets
22	Wall Cabinets
31	Pantry & Oven Cabinets
35	Storage & Organization
39	Hoods & Specialty Cabinets
43	Bathroom Vanities
50	Dummy Doors, Drawers & Replacements
53	Panels & Filers
58	Moldings
62	Valances & Decor Blocks
65	Onlays, Corbels & Posts

DOOR STYLES & FINISHES

■ CONTEMPORARY



S8
White



S5 (NEW)
Castle Grey



S1
Java Coffee

Notes: Constructed with ALL-WOOD reversed raised panel door for S8, S5, S1.

■ TRADITIONAL



A7
Crème Glazed



K10
Mocha Glazed



J5
Mahogany

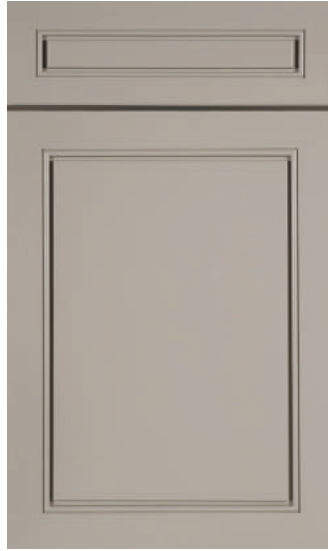


M01
Chocolate Glazed

■ TRANSITIONAL



H9 (NEW)
Pearl Glazed



K3
Greige



K8
Espresso



E1 (NEW)
Dove



E2 (NEW)
Charcoal

Notes: Constructed with plywood center panel for E1, E2.

***Note:** The photography and color samples shown in this catalog/specbook have been reproduced as accurately as printing technologies permit and are for representation only. To ensure the highest satisfaction, we strongly recommend you view an actual product sample prior to ordering cabinetry.

***Note:** Natural wood characteristics such as gum pockets, streaks and pin knots may be visible, particularly with some of our light paints. These characteristics tend to be more pronounced on the the backs of our drawers and doors.

ENVIRONMENTAL COMMITMENT



AkzoNobel



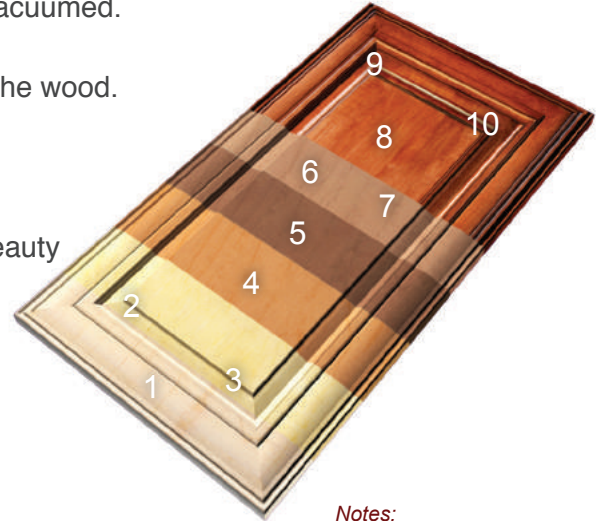
We believe that a healthy environment is the backbone to the happy lives of our customers and our society. In addition to our continued effort to improve our product qualities and values, J&K Cabinetry is committed to manufacturing and selling environmental-friendly and healthy products to our customers.

J&K cabinets' hardwood-plywood materials are "EPA TSCA Title VI Compliant" for formaldehyde. We also use AkzoNobel, a leading global company in sustainable paints and coatings, for our cabinet finishes. Our products are KCMA certified (for all J&K-assembled cabinets).

FINEST FURNITURE FINISHES

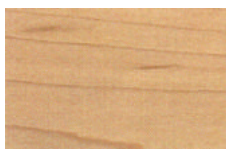
J&K's solid wood cabinet finishes are processed through the following excellent craftsmanship details:

1. The finest solid maple wood is sanded until smooth and vacuumed.
2. An equalizer stain is applied to balance the base color of the wood.
3. A toner is applied to establish color uniformity.
4. A deep penetrating stain is applied to reveal the hidden beauty of the natural grain.
5. All stained surfaces are hand-rubbed and wiped of excess stain and then slowly air-dried.
6. A wood sealer is applied, penetrating all exposed wood surfaces for uniform protection.
7. All surfaces are hand-sanded, providing a smooth, consistent surface.
8. A glaze is applied by hand (if applicable).
9. A color consistency examination is performed with additional touch-ups, if needed.
10. A final protective top coat is applied, maximizing resistance to scuffing, moisture, fading and most household chemicals.



*Notes:
NOT Actual Product;
Image For Reference Only.*

Natural Wood Characteristics:



Arce



Burl Grain



Open Knots



Bird's Eye



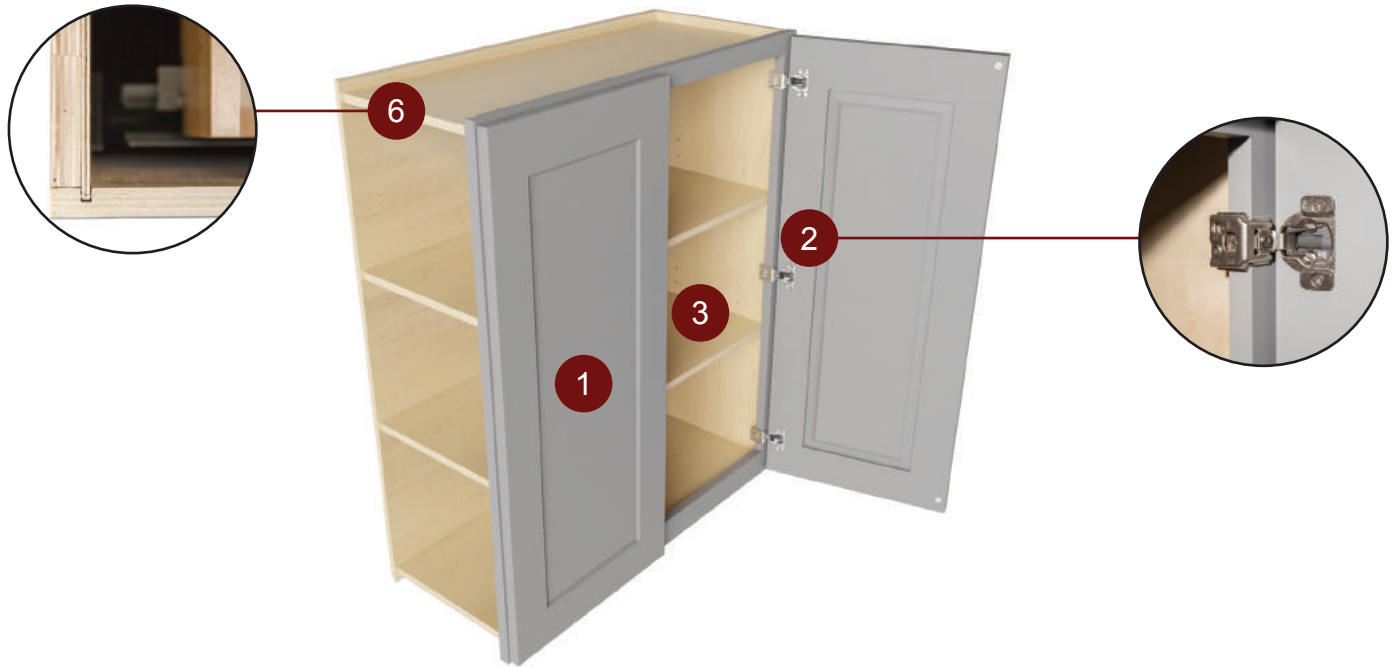
Mineral Streaks



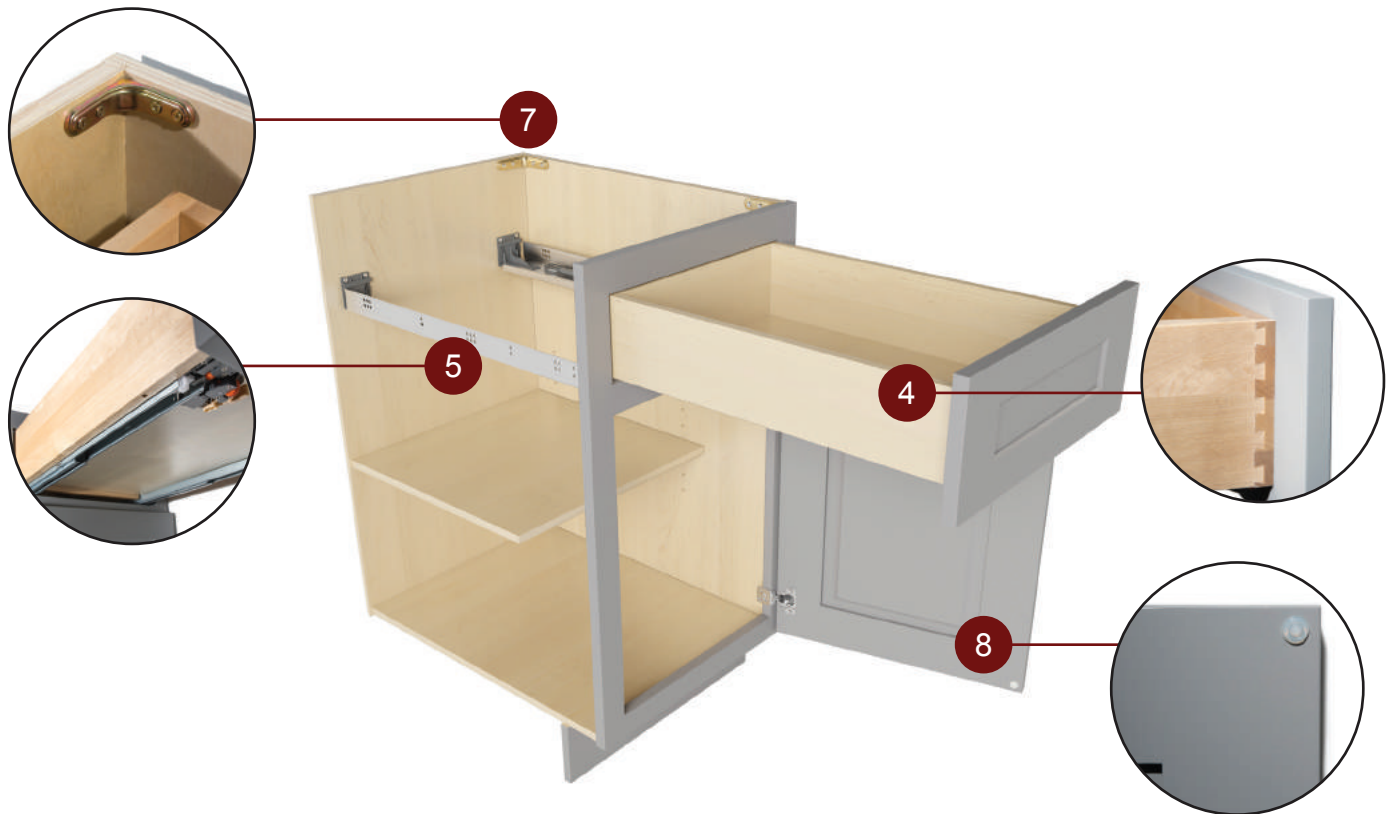
Heartwood

Note: All solid wood may contain natural "imperfections," such as variations in color, grain, mineral streaks and knots.

SUPERIOR CONSTRUCTION



Wall Cabinet with two doors in Castle Grey (S5).



Base Cabinet with one drawer and one door in Castle Grey (S5).

STANDARD FEATURES

■ All J&K's cabinets and vanities are superiorly constructed with 100% solid wood and proudly come with the following **STANDARD** features:

1. **DOOR PANEL** – 3/4" thick solid wood, full overlay door.
2. **DOOR HINGE** – 6-way adjustable, soft-close metal and hidden Euro-style.
3. **ADJUSTABLE SHELF** – 3/4" thick cabinet-grade plywood, clear coat finish on all sides and edges and metal shelf rests.
4. **DRAWERS** – 5/8" thick solid wood on all sides, full extension pull-out and dovetail construction.
5. **DRAWER GLIDE** – Full extension pull-out, soft-close metal and concealed under mount.
6. **PLYWOOD BOX** – 5/8" thick cabinet-grade plywood, clear coat finish on interior sides and matching color finish on exterior sides.
7. **METAL BRACKET** – Corner bracket reinforcements in base cabinets for maximum stability.
8. **DOOR BUMPER** – Promotes quiet-closing and reduces slamming for maximum durability.

■ Tilt-out Trays have been another upgrade and **STANDARD** feature in all of J&K's Kitchen Sink Base and Vanity Sink Cabinets.



NOTE:

As we continue to improve our product qualities and designs, the actual functionality of *Door Hinges* and *Drawer Glides* may vary slightly between existing and newest product styles and finishes. Please check with your local J&K Cabinetry showroom or dealer for the most current updates.

J&K SPECIFICATION & NOMENCLATURE

- All of J&K's cabinet dimensions come in 3" increments ranging from 9" to 42" in width for regular Base Cabinets and Wall Cabinets. Height and depth usually come in standard (and unlisted) sizes. Other non-standard or special dimensions are either fully listed or unspecified.

Kitchen *Base Cabinets*

with standard unlisted height and depth:

B12

=

B, 12, 34-1/2, 24

=

Letter Code, Width, Height, Depth

Kitchen *Wall Cabinets*

with standard unlisted depth:

W3036

=

W, 30, 36, 12

=

Letter Code, Width, Height, Depth

Bathroom *Vanity Cabinets*

with standard unlisted height:

FA2421

=

FA, 24, 33, 21

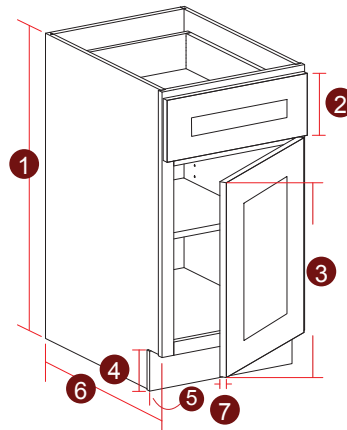
=

Letter Code, Width, Height, Depth

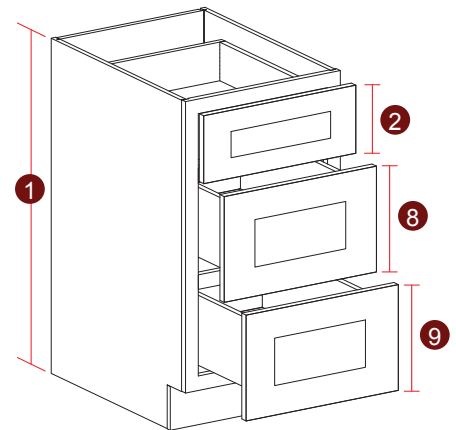
J&K CABINET DIMENSIONS

KITCHEN CABINET DIMENSION

- ① Standard 34-1/2"
- ② 6" on K10, M01, A7, K8, K3
7" on J5, S1, S5, S8, H9, E1, E2
- ③ 23" on K10, M01, A7, K8, K3
22" on J5, S1, S5, S8, H9
21-7/8" on E1, E2
- ④ Standard 4-1/2"
- ⑤ Standard 2-1/2"
- ⑥ Standard 24" (To the face frame)
- ⑦ Standard 3/4"
- ⑧ 11-3/8" on K10, M01, A7, K8, K3
10-7/8" on J5, S1, S5, S8, H9
10-3/4" on E1, E2
- ⑨ 11-3/8" on K10, M01, A7, K8, K3
10-7/8" on J5, S1, S5, S8, H9
10-3/4" on E1, E2



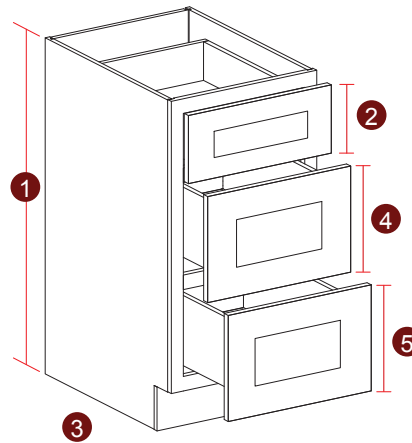
B18



DB21-3

VANITY CABINET DIMENSION

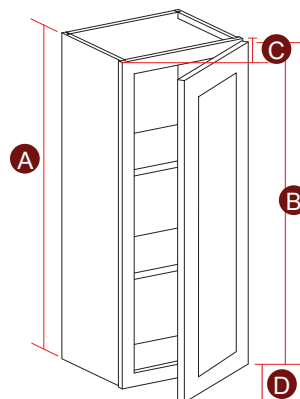
- ① Standard 33"
- ② 6" on K10, M01, A7, K8, K3
- ③ Standard 21" (To the face frame)
- ④ 10-3/8" on K10, M01, A7, K8, K3
10-3/16" on J5, S1, S5, S8, H9
10" on E1, E2
- ⑤ 10-3/8" on K10, M01, A7, K8, K3
10-3/16" on J5, S1, S2, S8, H9
10" on E1, E2



SVA18D

WALL CABINET DIMENSION

- Ⓐ 36"
- Ⓑ 35-1/2" (Door height)
35-3/16" on E1, E2
- Ⓒ 18"
- Ⓓ 17-3/4" (Door height)
17-11/16" on E1, E2



W1836

Notes:

Door opening direction: Flip the Wall Cabinet to change the hinge side.

Unscrew the Base Cabinet door to switch hinge side.



J&K CANADA LIMITED WARRANTY

J&K Canada hereby grants to Business Customers and Consumers the following J&K CANADA LIMITED WARRANTY on all cabinets sold by J&K Canada within Canada (the "Warranty"). This Warranty does not cover cabinets sold or shipped outside of Canada, even if they are sold by J&K Canada. This Warranty will apply once the J&K Client sells the cabinet to a Consumer or Business Customer and that cabinet is delivered to the residence of a Consumer, and the Consumer or Business Customer has paid the J&K Client in full in the amount set out in User Invoice.

Definitions

In this Warranty,

1. "**Business Customer**" means an individual or corporation who has the cabinet for installation and use in a commercial property for use in the ordinary course of its business;
2. "**Consumer**" means the individual who has purchased the cabinet for personal, family or household purpose as contemplated in the applicable consumer protection legislation of the province or territory in which that individual resides;
3. "**User Invoice**" means the invoice issued by the J&K Client to the Consumer or Business Customer;
4. "**Heavier Hang Up**" means the phenomenon whereby glazing is applied to wooden cabinetry and some of the glaze is pushed into the small recesses and corners of the wood, the intent being for the glazing to accentuate the wood's contours;
5. "**J&K Canada**" means the corporation who sold one or more cabinets to the J&K Client as set out in the J&K Invoice;
6. "**J&K Client**" means the builder, contractor, wholesaler, dealer, distributor, agent or other building professional who purchased the cabinet from J&K Canada and sold it to the Consumer or Business Customer;
7. "**J&K Invoice**" means the invoice issued by the J&K Canada to the J&K Client showing the proper legal name of the corporation who sold the cabinet(s), which corporation has the right to conduct business under the name "J&K Cabinetry", and which corporation is intended to be liable under this Warranty;
8. "**Term**" means the Five Year Term (as defined below) or One Year Term (as defined below) as the context so requires.

5 Year Term on Cabinetry

Provided that this Warranty applies, this paragraph will be in force for a period of five (5) years which will be deemed to commence from the date in the User Invoice (the "**Five Year Term**"). For the Five Year Term, J&K Canada warrants that:

1. **Defects:** The cabinet will be free from all unnatural defects in material and workmanship in accordance with J&K Canada's quality standards sheet provided that the Consumer subjects the cabinet to normal residential use, or the Business Customer subjects the cabinet to standard commercial use in the ordinary course. However, this paragraph shall not apply to the door hinges on the cabinets and all drawers glide system, including system hardware (lift system).
2. **Building Code:** The cabinet will conform to the requirements of the regulations and statute that comprise the building code applicable to all buildings and structures in the province or territory in which: a) the Consumer resides; b) or the Business Customer's office containing the cabinet is located, such as, by way of example, the *Building Code Act (Ontario)* and the regulations promulgated thereunder (the "**Building Code**"). However, this paragraph shall only apply with the respect to the Building Code as it exists at the time the cabinet is purchased by the J&K Client. J&K Canada shall have no liability under this paragraph as a result of any amendments to the Building Code which occur during the Five Year Term.
3. **Sale of Goods:** Any cabinet sold by J&K Canada will conform to any statutory warranties applicable under the provincial or territorial sale of goods legislation in which: a) the Consumer resides; b) or the Business Customer's office containing the cabinet is located, such as by way of example, the *Sale of Goods Act (Ontario)*. However,

this paragraph shall only apply with the respect to the legislation as it exists at the time the cabinet is purchased by the J&K Client. J&K Canada shall have no liability under this paragraph as a result of any amendments to the relevant statute which occurs during the Five Year Term.

1 Year Term on Hardware

Provided that this Warranty applies, this paragraph will be in force for a period of one (1) year which will be deemed to commence from the date in the User Invoice (the “**One Year Term**”). For the One Year Term, J&K Canada warrants that the door hinges on the cabinets and all drawers glide system, including system hardware (lift system) on a cabinet sold to a Consumer or Business Customer will be free from all unnatural defects in material and workmanship in accordance with J&K Canada’s quality standards sheet provided that the Consumer subjects those parts of the cabinet to normal residential use, or the Business Customer subjects those parts to standard commercial use in the ordinary course.

Warranty Limitations

This Warranty is subject to the following limitations, exclusions, disclaimers, and procedures:

- 1. Improper Handling, etc.:** The warranty does not cover defects caused by improper handling, storage, dirt, chemicals, abrasive or citrus cleaning products, installation, assembly or disassembly, transit or other intentional or negligent damage, product modifications, exposure to the extreme moisture, humidity or excessive heat or cold (temperature outside the range of 10° Celsius, or 50° Fahrenheit, to 29.4° Celsius, or 85° Fahrenheit, and relative humidity outside the range of 30% to 55% are considered extreme), nor does it cover defects arising from normal wear and tear, misuse, neglect, accidents, alterations, improper use, exposure to improper loads, or failure to maintain properly.
- 2. Modification:** Any modification to the hardware structure or finish of the original Consumer purchaser’s cabinetry, or Business Customer’s cabinetry, by anyone other than those specifically authorized by J&K Canada to do so shall void this Warranty. The cabinet must be used exclusively for its intended purpose in order to be covered by this Warranty. This Warranty shall become void if the cabinets or any components or parts thereof are in any way modified, improperly installed or damaged prior to or during installation, or installed or used in other than normal residential applications.
- 3. Wood Variations:** Natural woods may vary in color, grain pattern, and characteristics and exhibit subtle changes as they age. Wood characteristics that naturally occur, such as variations in color, grain, mineral streaks and knots, are not considered defects. J&K Canada will not be held responsible for these variations in the Consumer’s cabinetry or the Business Customer’s cabinetry. For example, painted doors, drawer fronts, and face frames may eventually have visible cracking around the joint area, and cabinet colors may darken or lighten over time. These conditions are considered a normal occurrence and are not included or covered by this Warranty. A glazed finish by character is an uneven finish. Some edges and profiles for glazed cabinets will have Heavier Hang Up than others and glazing may vary cabinet to cabinet, door to drawer and item to item. This may result in overall color variations but is not considered a defect. Ultraviolet light, sunlight, smoke, household cleaners, and other environmental conditions may also affect the color and integrity of the cabinet’s finish or appearance over time. These variations are considered to be the nature of the material in relation to their environmental exposure and are not considered defects in material or workmanship and are not covered under this Warranty.
- 4. Door Joint Gaps and Cracks:** Mitered door joints are likely to react to conditions of their environment. Gaps that may develop in door joints due to conditions of their environment are not included or covered by this Warranty. Additionally, this Warranty does not cover or apply to hairline cracks of cabinetry; hairline cracks are unavoidable in wood cabinets given the nature of the material. Every species and grade of solid wood behaves in such a





J&K CANADA LIMITED WARRANTY

way as to eventually result in hairline cracks.

5. Warping Doors: The Consumer or Business Customer acknowledges that it is common for wood to undergo seasonal expansion and contraction as it compensates and adjusts to ever changing atmospheric humidity and temperature conditions. It is very common to observe shrink or expansion on center panels of doors in cabinets. Additionally, it is reasonable to expect that such doors will return to their natural position within a few months once they have adjusted to seasonal changes. For this reason, this Warranty excludes all warpage on doors less than or equal to one quarter inch ($\frac{1}{4}$ "). The Consumer or Business Customer is required to remove all doors and check them on a flat surface for the above stated warpage before requesting replacement.

Product Line Updates and Changes

J&K Canada periodically updates and makes changes to its product line of cabinets along with any required specifications. If a claim is filed under this Warranty during the Term against an obsolete or changed part of a cabinet and repair is not possible, J&K Canada may, at its sole discretion, repair or replace the part with a new part of the same style or with a similar style currently offered and does not include or cover any other costs, including but not limited to any costs of service, labor, shipment, transportation, removal or installation related to the repair or replacement. J&K Canada is not responsible for a replacement product that may not match the installed product exactly. If a manufacturing defect is found that falls within the scope of this Warranty, and J&K Canada decides to replace the defective cabinet or component or part thereof, J&K Canada will ship the replacement cabinet or component or part thereof to the Consumer or Business Customer via ground shipper or freight carrier, at J&K Canada's sole discretion.

Disclaimer and Liability Limits

1. Sole Remedy: This Warranty is the complete, exclusive and sole remedy for any Consumer or Business Customer using a cabinet supplied by J&K Canada alleging a breach of warranty. Where so permitted by Canadian federal law, or the laws of the Canadian province or territory in which: a) the Consumer resides; b) or the Business Customer's office containing the cabinet is located, this Warranty is in lieu of any and all other express and/or statutory warranties, to the extent provided by law.

2. Limited Liability: IN NO EVENT SHALL J&K CANADA BE LIABLE TO ANY CONSUMER OR BUSINESS CUSTOMER FOR INCIDENTAL OR CONSEQUENTIAL DAMAGES TO ANY CONSUMER OR THIRD PARTY, INCLUDING BUT NOT LIMITED TO DAMAGES ARISING FROM PERSONAL INJURY, LOST PROFITS, LOSS OF BUSINESS OPPORTUNITIES, LOSS OF PROPERTY, ECONOMIC LOSS, STATUTORY OR EXEMPLARY DAMAGES, WHETHER FROM NEGLIGENCE, WARRANTY, STRICT LIABILITY OR OTHERWISE. ANY AND ALL IMPLIED WARRANTIES OF MERCHANTABILITY, FITNESS FOR A PARTICULAR PURPOSE, COURSE OF DEALING AND USAGE OF TRADE, AND ANY AND ALL OTHER WARRANTIES, EXPRESS OR IMPLIED, ARE EXCLUDED AND DISCLAIMED, EXCEPTING ONLY THOSE EXPRESSLY AND SPECIFICALLY SET FORTH IN THIS WARRANTY. IN NO EVENT SHALL J&K CANADA BE LIABLE FOR ANY INDIRECT DAMAGES RESULTING FROM INSTALLATION, USE OR FAILURE OF ITS PRODUCTS. In addition to the above, and without in any way limiting the generality of the foregoing, J&K Canada's liability under this Warranty SHALL NOT exceed any more than **ONE POINT TWO FIVE TIMES (1.25 x) THE VALUE** of the cabinet as set out in the J&K Invoice.

3. User Benefit: It is understood and agreed that this Warranty is intended for the benefit of the Consumer or Business Customer. Under no circumstances may a J&K Client make a claim under this Warranty in the absence of a request from the Consumer or Business Customer in accordance with the claims process set out in this Warranty. Additionally, THIS WARRANTY IS J&K CANADA'S SOLE WARRANTY, AND NO J&K CLIENT POSSESSES ANY AUTHORITY WHATSOEVER TO MODIFY OR ENLARGE THIS WARRANTY IN ANYWAY.

CLAIMS SUBMISSIONS

To file a claim under this Warranty, the Consumer or Business Customer is required to contact the J&K Client who arranged the purchase of the product from J&K Canada. Once the J&K Client receives a written request from

the Consumer or Business Customer, the J&K Client shall submit a claim on behalf of the Consumer in accordance with any processes established by J&K Canada. To complete the claim, the J&K Client shall submit to J&K Canada:

1. A written explanation of the defect forming the basis of the claim;
2. The J&K Invoice applicable to the claim;
3. The User Invoice applicable to the claim;
4. Proof of payment by the Consumer or Business Customer to the J&K Client for the cabinet, as determined by J&K Canada in its reasonably exercised discretion.

(“Warranty Documents”)

J&K Canada reserves the right to require: i) pictures of cabinets or components or parts thereof as J&K Canada deems necessary; and/or ii) an inspection of the allegedly defective cabinet before repairing or replacing. In collecting, using and disclosing any personal information about the Consumer or from a Business Customer, J&K Canada will comply with the requirements of the *Personal Information Protection and Electronic Documents Act (Canada)* and any applicable provincial or territorial legislation governing privacy.

In the event that the J&K Client is unable to submit the claim due to bankruptcy, insolvency or general assignment for the benefit of creditors, the Consumer or Business Customer may submit a claim directly to J&K Canada provided that the Consumer or Business Customer complies with the provisions in this Warranty and submits the Warranty Documents (save and except for the J&K Invoice, which will be supplied by J&K Canada). J&K Canada reserves the right to make all final decisions regarding any claims under this Warranty.

Please do not send the allegedly defective cabinet or component or part thereof to J&K Canada, unless and until expressly requested to do so by our claims department. Please be advised that J&K Canada will not hesitate to report any fraudulent claims to the appropriate governmental authorities.

GOVERNING LAW

This Warranty shall be construed in accordance with the laws of the Province of Ontario and the laws of Canada applicable therein and shall be treated in all respects as an Ontario contract without regard to conflict of law principals of the law of another jurisdiction. The parties hereto hereby agree to expressly and strictly exclude the application of the United Nations Convention on Contracts for the International Sale of Goods, and the application of the *International Sales Convention Act (Ontario)*. All disputes, controversies, claims arising out of, or in connection with, or in relation to this Warranty, including any question regarding its validity, existence, or termination shall be submitted to and subject to the jurisdiction of the courts of the Province of Ontario (including the Supreme Court of Canada) which shall have exclusive jurisdiction in the event of any dispute hereunder. The parties hereby irrevocably submit and attorn to the exclusive jurisdiction of such courts to finally adjudicate and determine any suit, action, or proceeding, arising out of or in connection with this Warranty.

ENTRY INTO FORCE

This Warranty is in force as of and from January 1, 2019.



General Information:

- As a general rule, keep all cabinet surfaces dry at all times.
- Cabinet surfaces shall be dried immediately with a soft, lint-free cotton cloth.
- Avoid using a dish cloth or sponge. Avoid ammonia-based cleaners and soaps with dye. Harsh detergent residues may harm cabinet finishes.
- As with all wood products, quick temperature changes and excessive moisture can be harmful to the cabinet finish and overall cabinet stability.

Basic Cleaning:

- To remove dust after installation and for initial cleaning, use a soft, lint-free cotton cloth to wipe down all exterior and interior surfaces.
- For regular basic cleaning, use a soft, lint-free cotton cloth dampened with a mild detergent or soap and warm water. For best results, use a blotting action rather than a wiping motion, when cleaning.
- Wipe up food spills and water spots immediately with a lint-free cotton cloth, so moisture is not absorbed into the cabinet surfaces.

Cleaning of Glass Door Inserts:

- Use a household glass cleaner with a soft, clean cloth.
- Apply the glass cleaner directly to the cleaning cloth rather than on the glass or mirror.
- Avoid excess glass cleaner running into the cabinet joints.
- Ammonia should never be used in full strength.

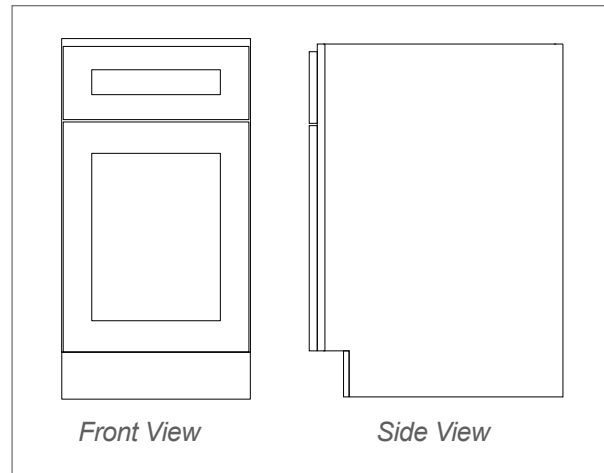
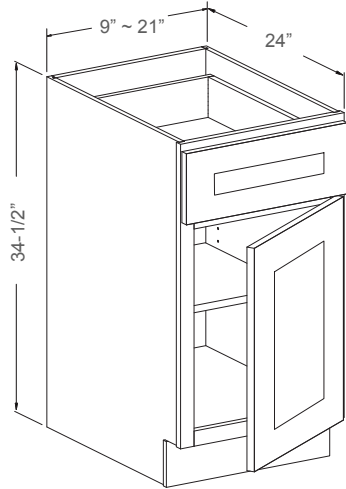
Basic Care & Things to Avoid:

- When in doubt of a cleaner's suitability, DO NOT USE.
- Never use scouring pads, steel wool, wire brushes or powdered cleansers.
- Never leave a cloth moistened with cleaner on any cabinet surface for any length of time.
- Check the areas around the sink and dishwasher to make sure that water and detergents do not dry on the cabinet surfaces.
- Avoid draping wet or damp dish towels over doors of the base cabinets.
- Do not attach towel racks to the interior of cabinet doors.
- Avoid placing small kitchen appliances where the heat or steam is directed onto cabinet surfaces.
- Do not leave printed materials (newspapers, magazines, etc.) on the cabinet surfaces, as the printing can bleed into the cabinet finish.

BASE CABINETS



Base Cabinet With 1 Drawer & 1 Door

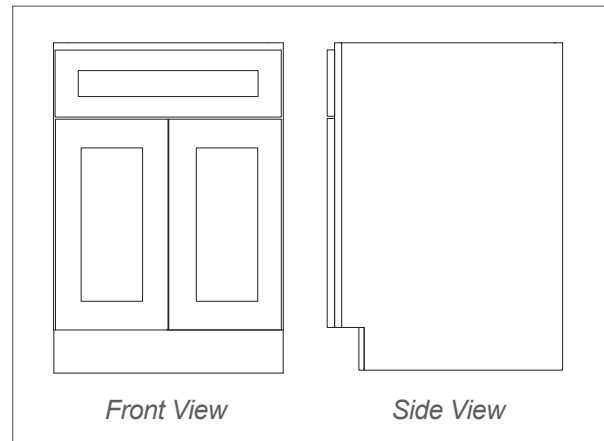
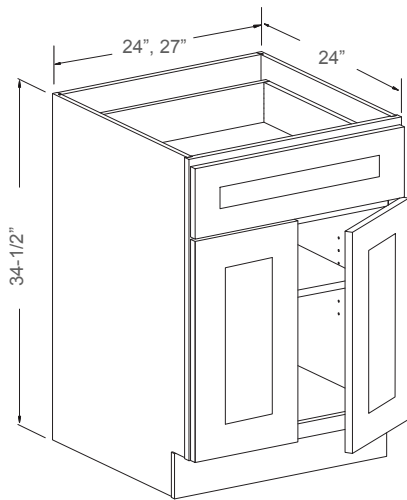


Features

- 1 Drawer
- 1 Door
- 1 Adjustable Shelf

Item Code	Dimensions	Weight
B09	9W x 34-1/2H x 24D	42 LB
B12	12W x 34-1/2H x 24D	45 LB
B15	15W x 34-1/2H x 24D	50 LB
B18	18W x 34-1/2H x 24D	53 LB
B21	21W x 34-1/2H x 24D	57 LB

Base Cabinet With 1 Drawer & 2 Doors

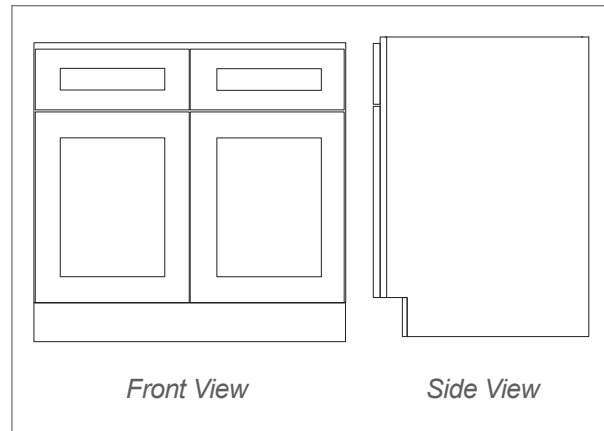
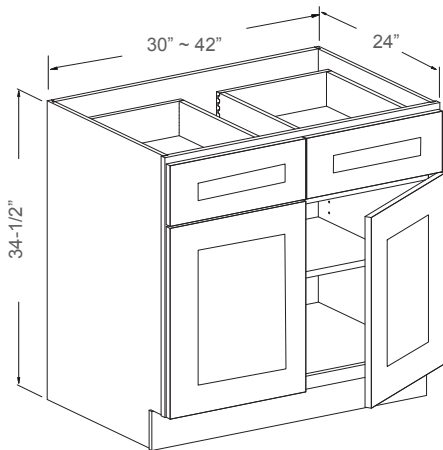


Features

- 1 Drawer
- 2 Doors
- 1 Adjustable Shelf

Item Code	Dimensions	Weight
B24	24W x 34-1/2H x 24D	63 LB
B27	27W x 34-1/2H x 24D	68 LB

Base Cabinet With 2 Drawers & 2 Doors



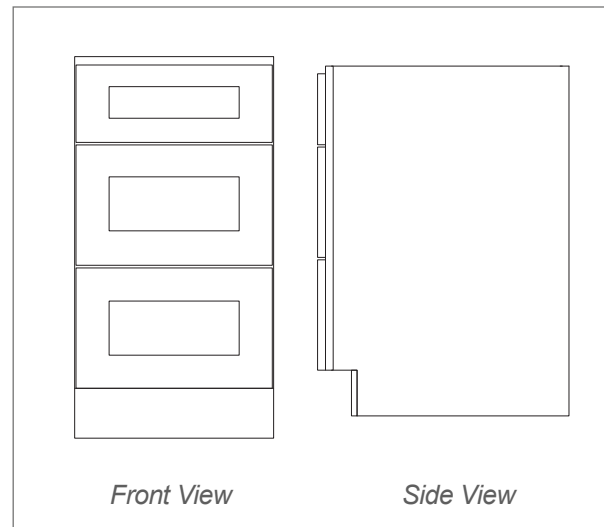
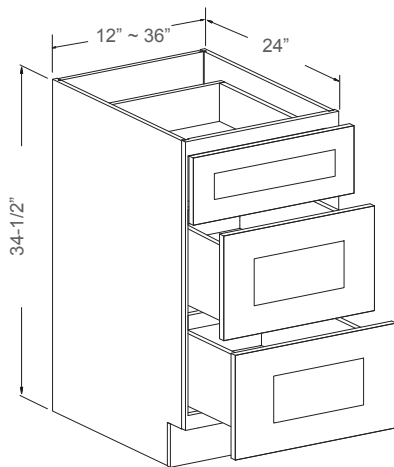
Features

- 2 Drawers
- 2 Doors
- 1 Adjustable Shelf

Item Code	Dimensions	Weight
B30	30W x 34-1/2H x 24D	81 LB
B33	33W x 34-1/2H x 24D	85 LB
B36	36W x 34-1/2H x 24D	89 LB
B42	42W x 34-1/2H x 24D	94 LB

BASE CABINETS

Drawer Base With 3 Drawers



Features

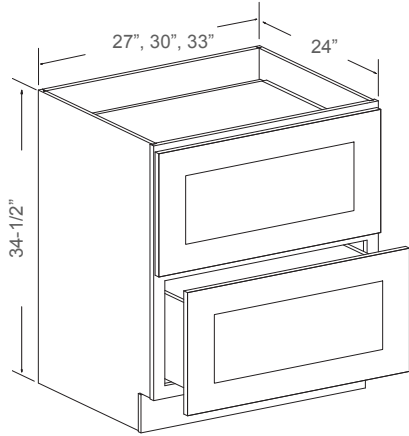
- 1 Small Drawer
- 2 Large Drawers

Item Code	Dimensions	Weight
DB12-3	12W x 34-1/2H x 24D	68 LB
DB15-3	15W x 34-1/2H x 24D	76 LB
DB18-3	18W x 34-1/2H x 24D	81 LB
DB21-3	21W x 34-1/2H x 24D	86 LB
DB24-3	24W x 34-1/2H x 24D	93 LB
DB30-3	30W x 34-1/2H x 24D	103 LB
DB36-3	36W x 34-1/2H x 24D	111 LB

BASE CABINETS

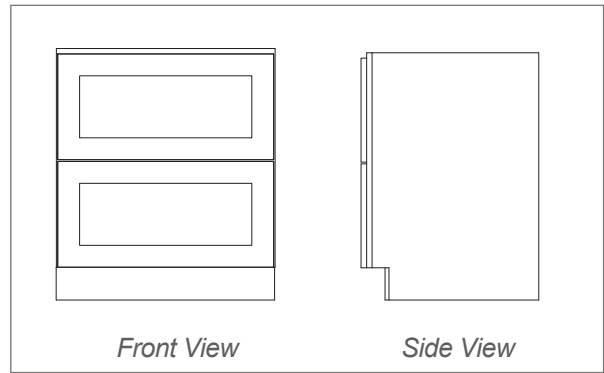


Drawer Base With 2 Drawers



Features

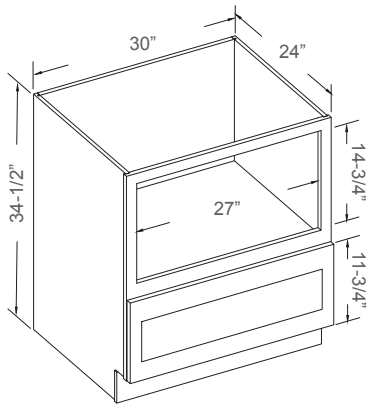
- 2 Large Drawers



Item Code	Dimensions	Weight
DB27-2	27W x 34-1/2H x 24D	87 LB
DB30-2	30W x 34-1/2H x 24D	93 LB
DB33-2	33W x 34-1/2H x 24D	98 LB

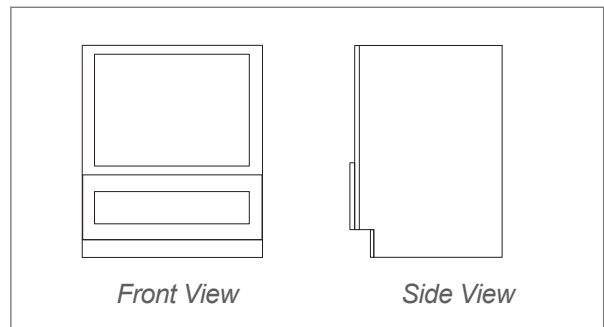
Call First: J5, K8, K10, A7, S1

Microwave Drawer Base



Features

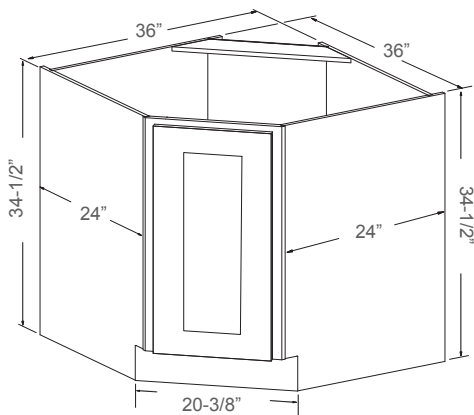
- 1 Drawer



Item Code	Dimensions	Weight
MDB30	30W x 34-1/2H x 24D	70 LB

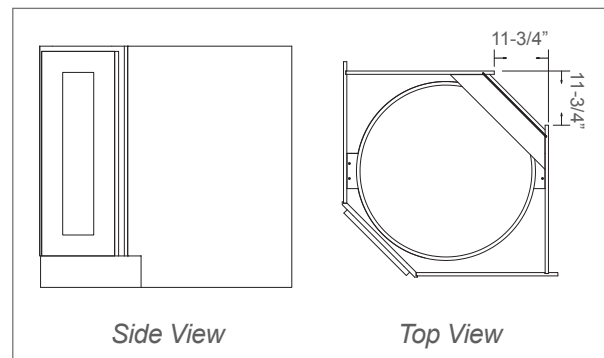
Call First: J5, K8, K10, A7, S1

Base Diagonal Corner



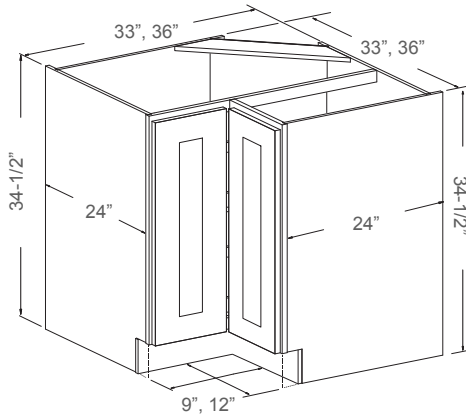
Features

- 1 Full Door: 14-3/4"W x 29-1/4"H
- 2 Wooden Round Susans



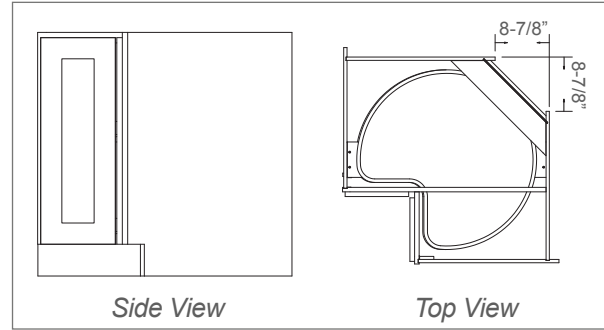
Item Code	Dimensions	Weight
CBD36	36W x 34-1/2H x 24D	81 LB

Lazy Susan



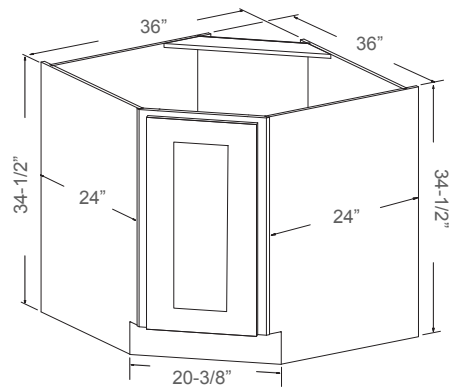
Features

- 1 Bi-folding Door: 7-1/2"W, 10-1/2"W x 29-1/4"H
- 2 Wooden Kidney-Shaped Susans



Item Code	Dimensions	Weight
LS3309	33W x 34-1/2H x 24D	77 LB
LS3612	36W x 34-1/2H x 24D	81 LB

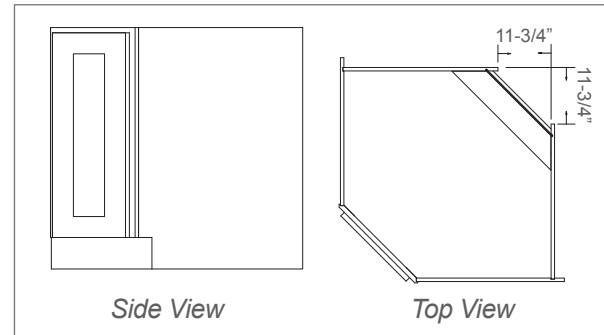
Base Diagonal Sink



Features

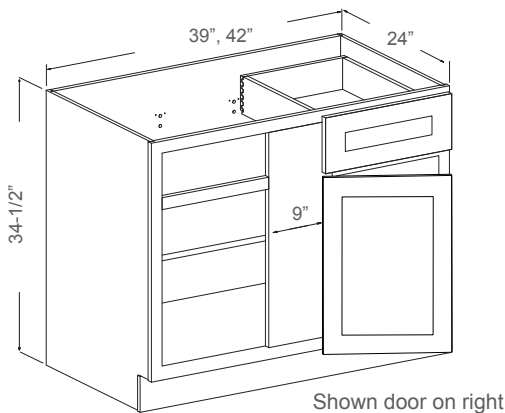
- 1 Full Door: 14-3/4"W x 29-1/4"H
- No Shelf

Notes: Back Panel NOT Open



Item Code	Dimensions	Weight
CSB36	36W x 34-1/2H x 24D	62 LB

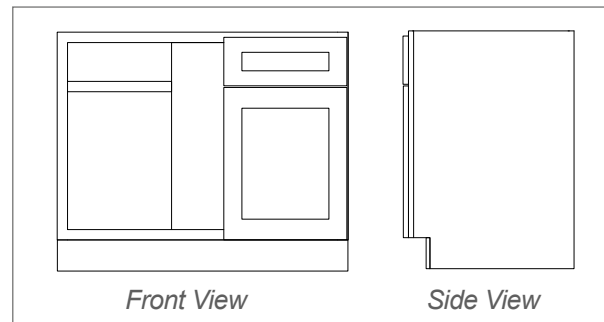
Base Blind Corner (L/R)



Features

- 1 Drawer on Left or Right
- 1 Door on Left or Right
- 1 Adjustable Shelf

Notes: Minimum 3" Pull From The Wall When Install



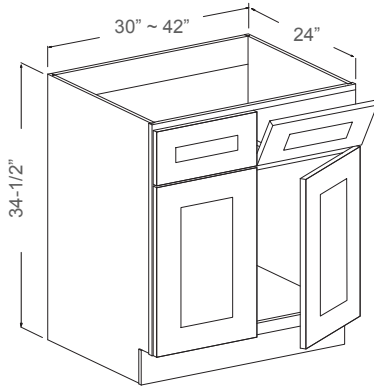
Item Code	Dimensions	Weight
BBC39L	39W x 34-1/2H x 24D	72 LB
BBC39R	39W x 34-1/2H x 24D	72 LB
BBC42L/R	42W x 34-1/2H x 24D	78 LB

*Notes: Door Width 15"W In BBC39L/R; 18"W In BBC42L/R.
Call First :
S1, J5, M01, K8, K3, K10, A7 for BBC39L and BBC39R.*

BASE CABINETS



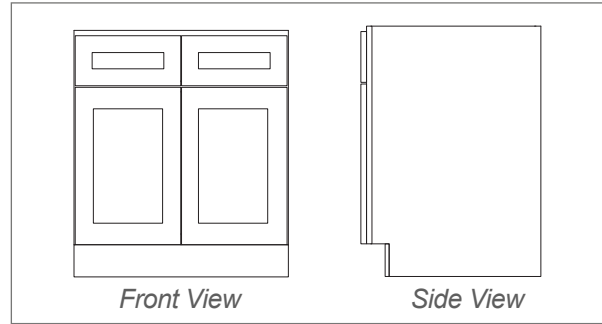
Sink Base With 2 Doors



Features

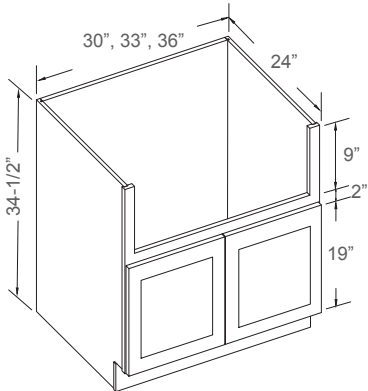
- 2 Tilt-Out Drawers With Trays
- 2 Doors
- No Shelf

Notes: Back Panel Open



Item Code	Dimensions	Weight
SB30	30W x 34-1/2H x 24D	49 LB
SB33	33W x 34-1/2H x 24D	50 LB
SB36	36W x 34-1/2H x 24D	54 LB
SB42	42W x 34-1/2H x 24D	59 LB

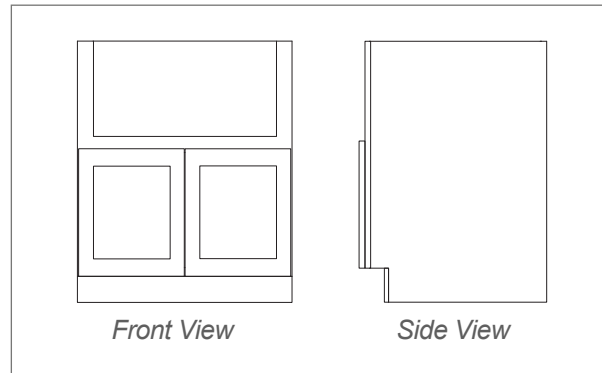
Farm Sink Base With 2 Doors



Features

- 2 Doors
- No Shelf

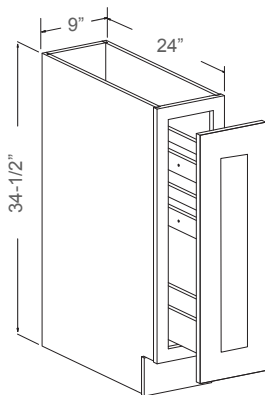
Notes: Back Panel NOT Open



Item Code	Dimensions	Weight
FSB36	36W x 34-1/2H x 24D	53 LB

Call First: J5, K8, K10, A7, S1

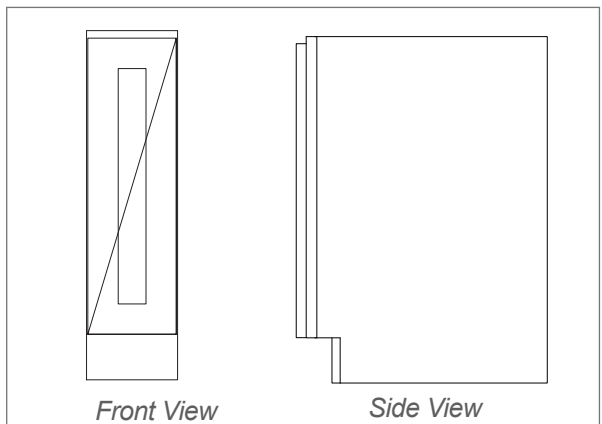
Spice Pull-Out Base Cabinet



Features

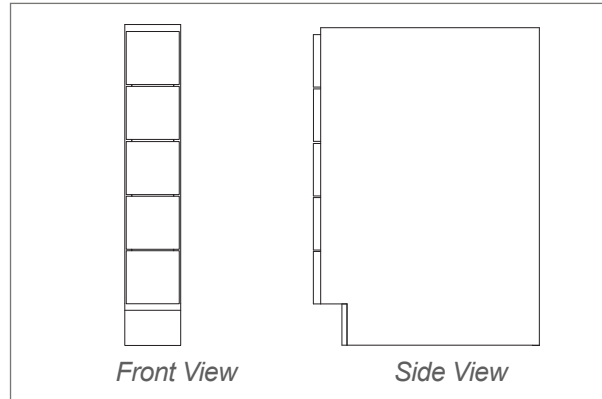
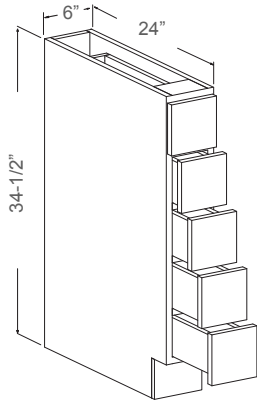
- 1 Door: 8-3/4"W x 29-1/4"H
- 3 Fixed Pull-Out Shelves

Notes: Standard Ball Bearing Side Glides



Item Code	Dimensions	Weight
SP09	9W x 34-1/2H x 24D	42 LB

Spice Drawer Base Cabinet



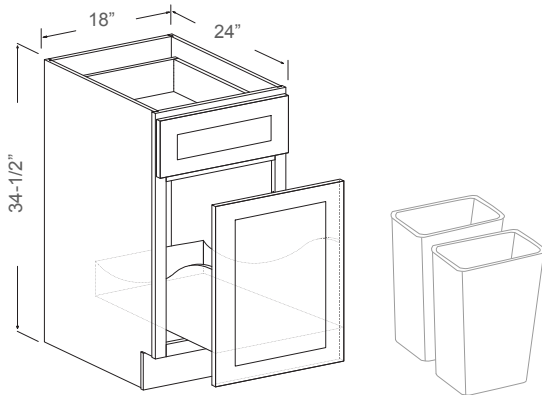
Features

- 5 Square Drawers: 5-3/4"W x 5-1/2"H (Each)

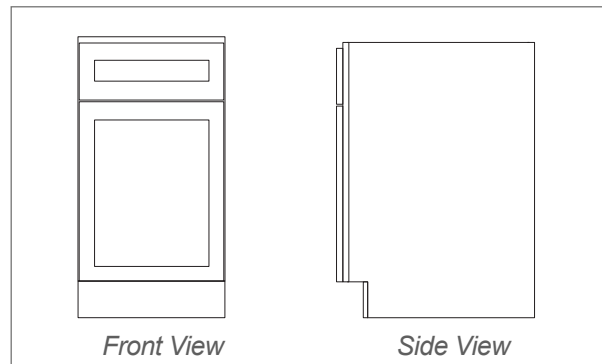
Notes: No Glides

Item Code	Dimensions	Weight
BWRC6	6W x 34-1/2H x 24D	56 LB

Waste Bin Base Cabinet



(Sold Separately)



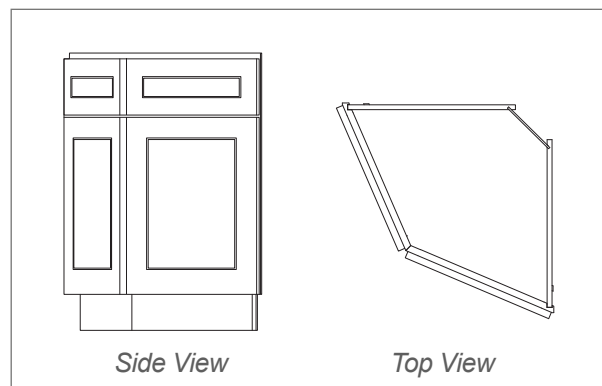
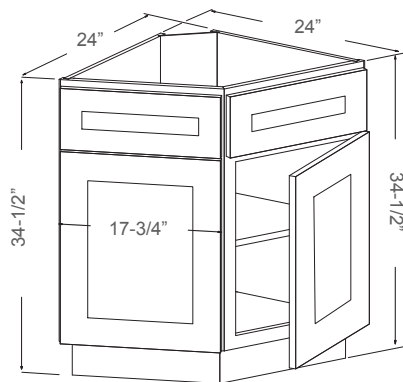
Features

- 1 Drawer
- 1 Door
- 2 Large Bin Cut-Outs

Notes: Plastic Waste Bins NOT Included

Item Code	Dimensions	Weight
BWBK18-2	18W x 34-1/2H x 24D	61 LB

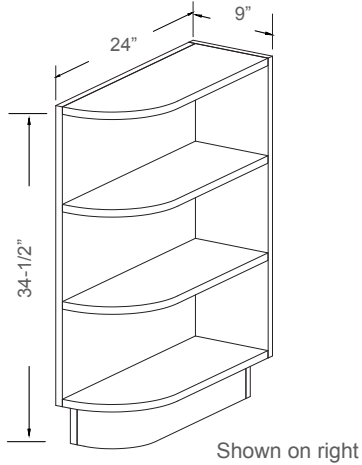
Base End Corner



Features

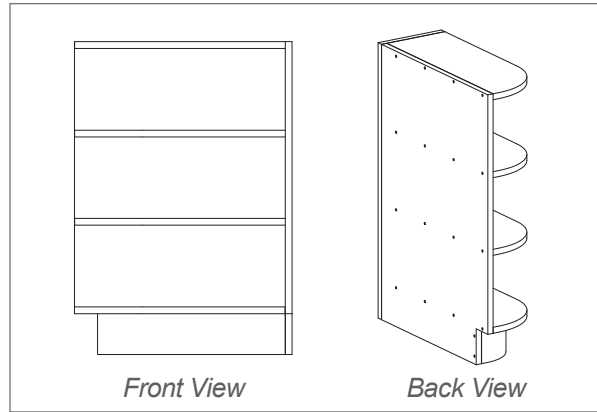
- 2 Dummy Drawers
- 2 Doors
- 1 Adjustable Shelf

Item Code	Dimensions	Weight
BEC24	24W x 34-1/2H x 24D	48 LB



Features

- 3 Fixed Shelves
- Matching Color Finish

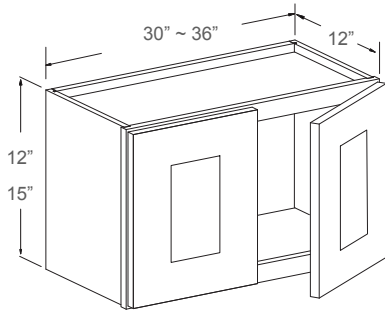


Item Code	Dimensions	Weight
BES09L/R	9W x 34-1/2H x 24D	34 LB

WALL CABINETS

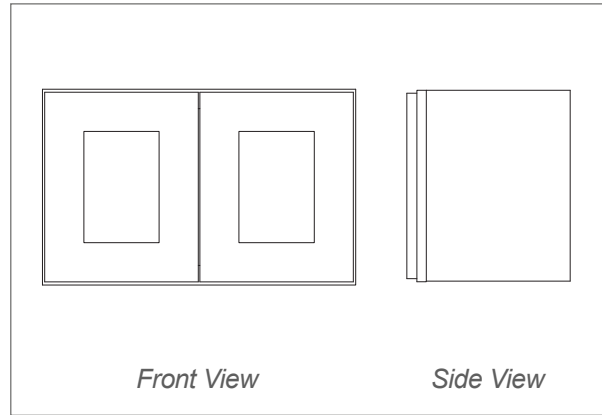


Wall Cabinet - 12"H & 15"H



Features

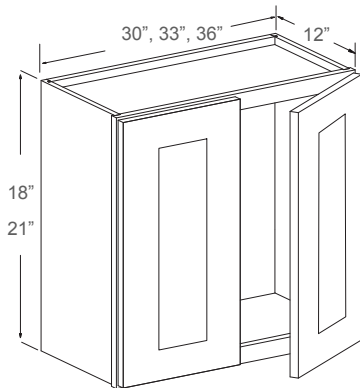
- 2 Doors
- No Shelf



Item Code	Dimensions	Weight
W3012	30W x 12H x 12D	20 LB
W3612	36W x 12H x 12D	23 LB

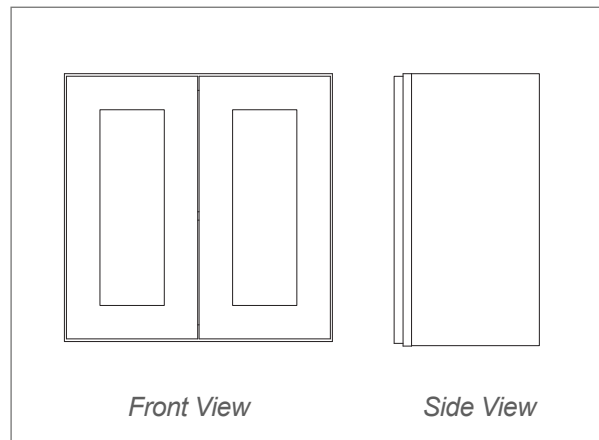
W3015	30W x 15H x 12D	22 LB
W3315	33W x 15H x 12D	25 LB
W3615	36W x 15H x 12D	27 LB

Wall Cabinet - 18\"/>



Features

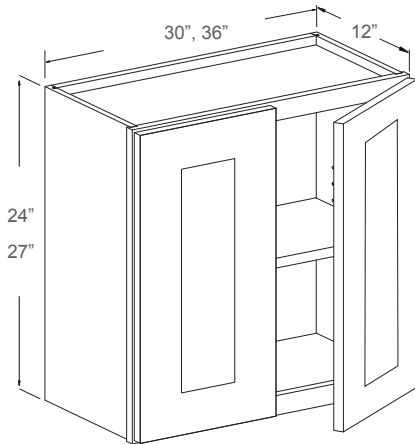
- 2 Doors
- No Shelf



Item Code	Dimensions	Weight
W3018	30W x 18H x 12D	26 LB
W3618	36W x 18H x 12D	30 LB

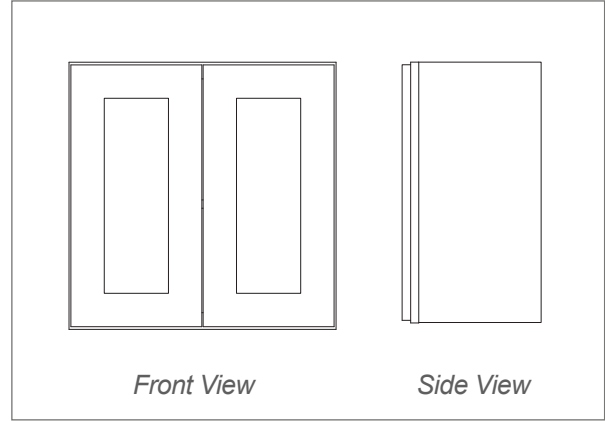
W3021	30W x 21H x 12D	29 LB
W3321	33W x 21H x 12D	31 LB

Wall Cabinet - 24"H & 27"H



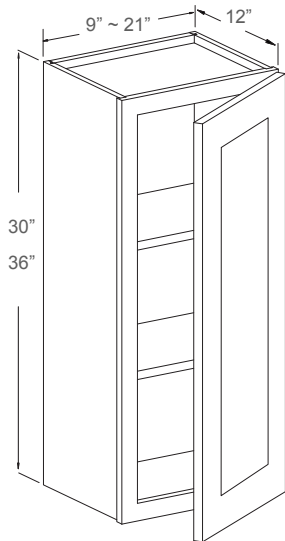
Features

- 2 Doors
- 1 Adjustable Shelf



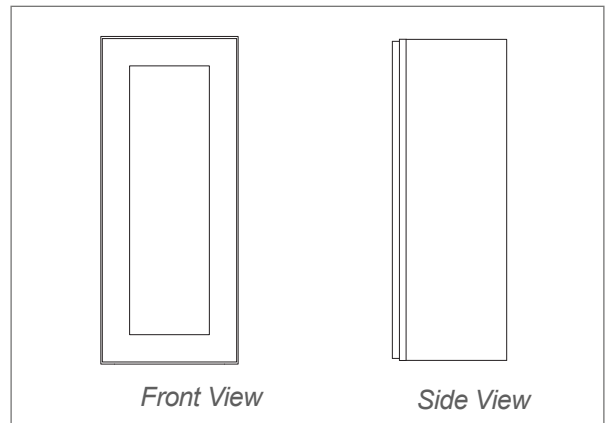
Item Code	Dimensions	Weight
W3024	30W x 24H x 12D	36 LB
W3624	36W x 24H x 12D	41 LB
W3027	30W x 27H x 12D	42 LB

Wall Cabinet - 30\"/>



Features

- 1 Door
- 2 Adjustable Shelves

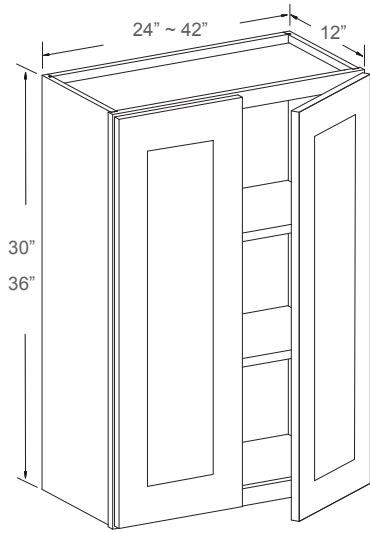


Item Code	Dimensions	Weight
W0930	9W x 30H x 12D	20 LB
W1230	12W x 30H x 12D	23 LB
W1530	15W x 30H x 12D	27 LB
W1830	18W x 30H x 12D	30 LB
W2130	21W x 30H x 12D	32 LB
W0936	9W x 36H x 12D	23 LB
W1236	12W x 36H x 12D	27 LB
W1536	15W x 36H x 12D	29 LB
W1836	18W x 36H x 12D	34 LB
W2136	21W x 36H x 12D	38 LB

WALL CABINETS

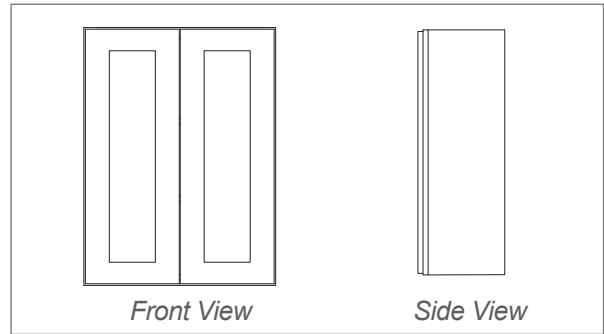


Wall Cabinet - 30"H & 36"H



Features

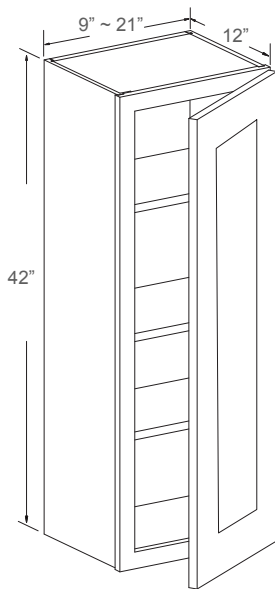
- 2 Doors
- 2 Adjustable Shelves



Item Code	Dimensions	Weight
W2430	24W x 30H x 12D	38 LB
W2730	27W x 30H x 12D	42 LB
W3030	30W x 30H x 12D	46 LB
W3330	33W x 30H x 12D	50 LB
W3630	36W x 30H x 12D	52 LB
W3930	39W x 30H x 12D	56 LB
W4230	42W x 30H x 12D	59 LB

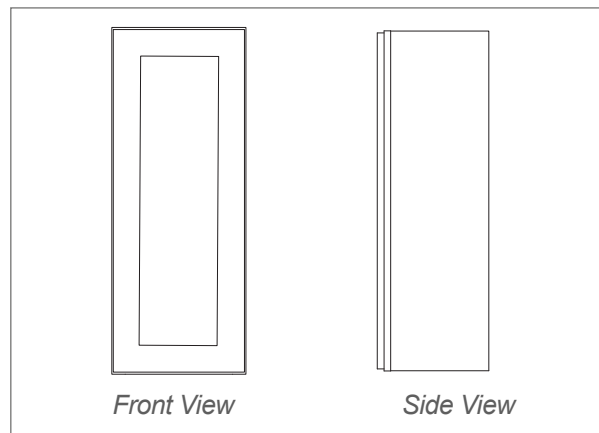
W2436	24W x 36H x 12D	43 LB
W2736	27W x 36H x 12D	45 LB
W3036	30W x 36H x 12D	51 LB
W3336	33W x 36H x 12D	55 LB
W3636	36W x 36H x 12D	59 LB
W4236	42W x 36H x 12D	66 LB

Wall Cabinet - 42"H



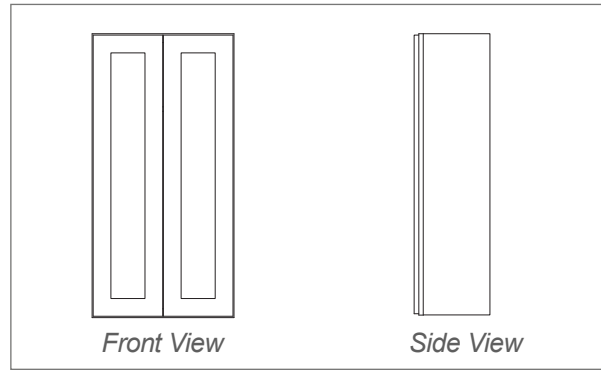
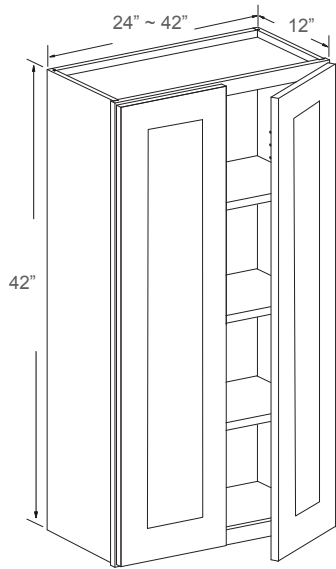
Features

- 1 Door
- 3 Adjustable Shelves



Item Code	Dimensions	Weight
W0942	9W x 42H x 12D	27 LB
W1242	12W x 42H x 12D	31 LB
W1542	15W x 42H x 12D	34 LB
W1842	18W x 42H x 12D	40 LB
W2142	21W x 42H x 12D	43 LB

Wall Cabinet - 42" H

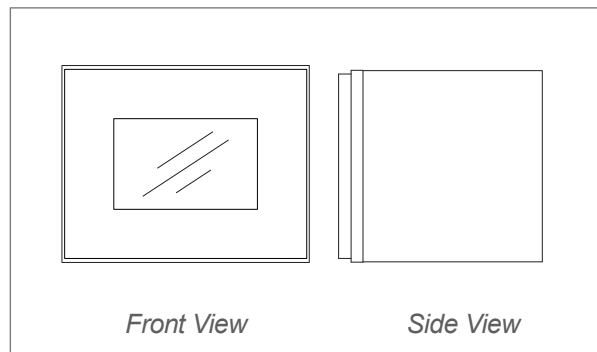
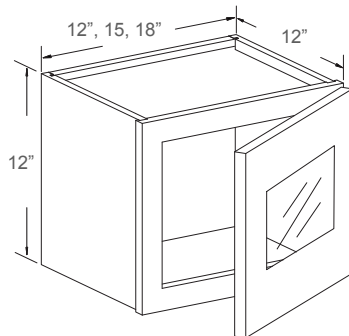


Features

- 2 Doors
- 3 Adjustable Shelves

Item Code	Dimensions	Weight
W2442	24W x 42H x 12D	49 LB
W2742	27W x 42H x 12D	55 LB
W3042	30W x 42H x 12D	60 LB
W3342	33W x 42H x 12D	63 LB
W3642	36W x 42H x 12D	69 LB
W4242	42W x 42H x 12D	78 LB

Wall Cabinet Glass Insert Door - 12" H



Features

- 1 Door
- No Shelf
- Matching Color Interior

Notes: Glass Insert Not Included

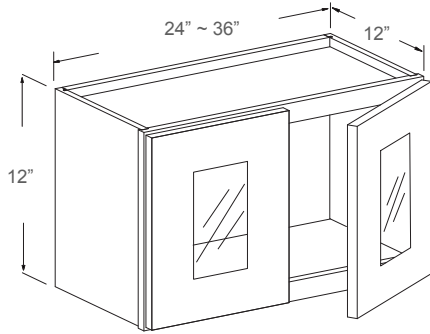
Item Code	Dimensions	Weight
WM1212H	12W x 12H x 12D	10 LB
WM1512H	15W x 12H x 12D	12 LB
WM1812H	18W x 12H x 12D	13 LB

Only Available in: H9/S8

WALL CABINETS



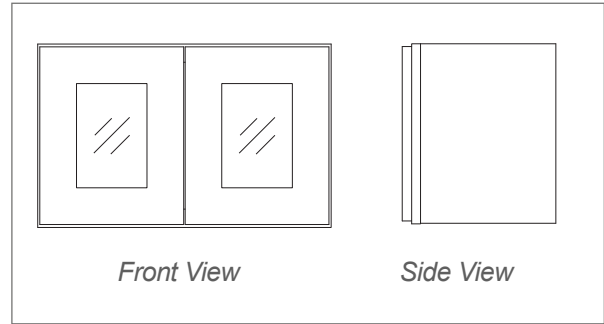
Wall Cabinet Glass Insert Door
- 12"H & 18"H



Features

- 2 Doors
- No Shelf
- Matching Color Interior

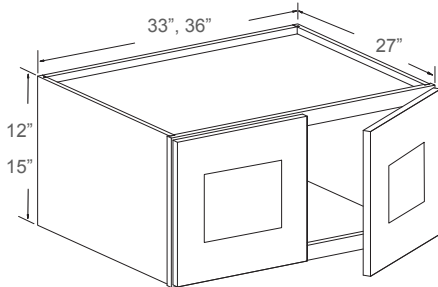
Notes: Glass Inserts NOT Included



Item Code	Dimensions	Weight
WM2412H	24W x 12H x 12D	17 LB
WM2712H	27W x 12H x 12D	19 LB
WM3012H	30W x 12H x 12D	21 LB
WM3312H	33W x 12H x 12D	21 LB
WM3612H	36W x 12H x 12D	25 LB

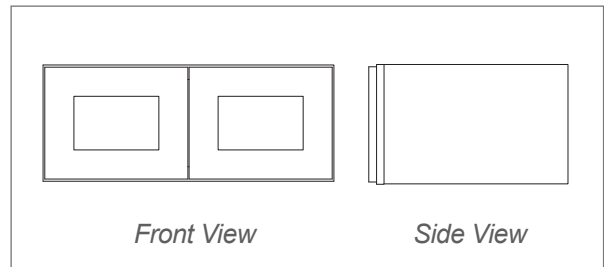
Only Available in : H9/S8

Refrigerator Wall Cabinet
- 12"H & 15"H



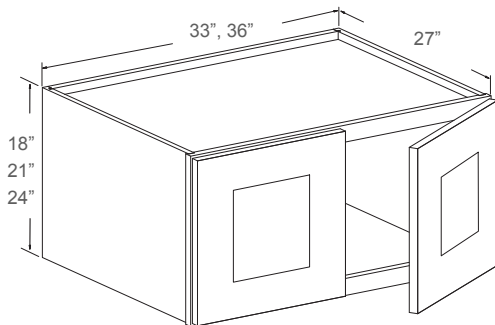
Features

- 2 Doors
- No Shelf



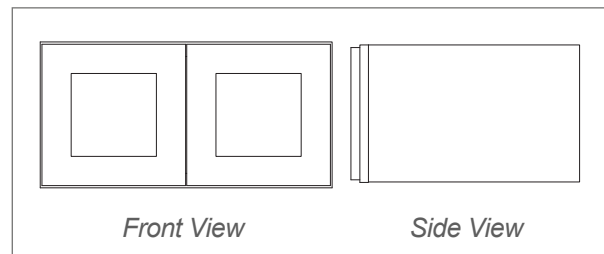
Item Code	Dimensions	Weight
W331227	33W x 12H x 27D	38 LB
W361227	36W x 12H x 27D	40 LB
W361527	36W x 15H x 27D	45 LB

Refrigerator Wall Cabinet
- 18"H & 21"H & 24"H



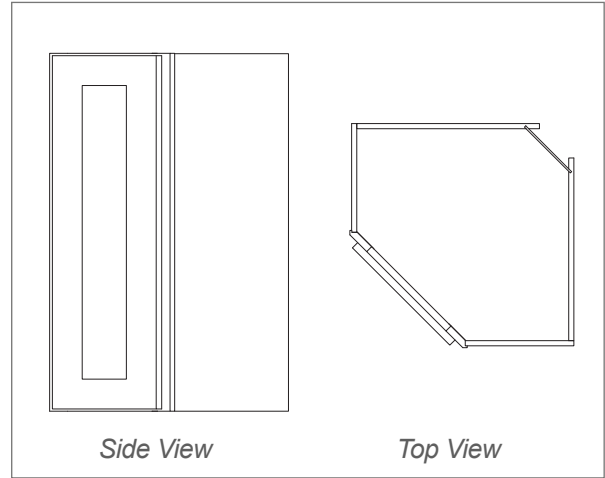
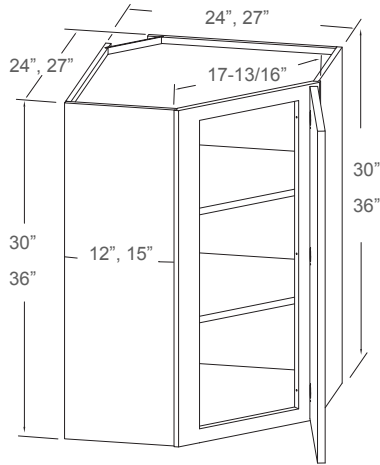
Features

- 2 Doors
- No Shelf



Item Code	Dimensions	Weight
W331827	33W x 18H x 27D	42 LB
W361827	36W x 18H x 27D	46 LB
W362127	36W x 21H x 27D	51 LB
W332427	33W x 24H x 27D	59 LB
W362427	36W x 24H x 27D	61 LB

Wall Diagonal Corner - 30"H & 36"H

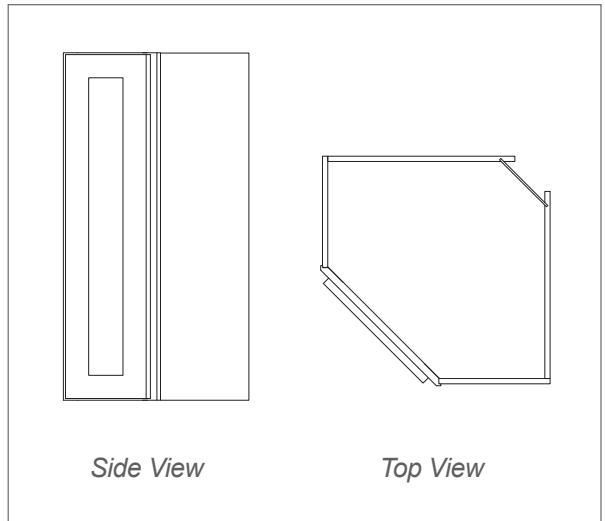
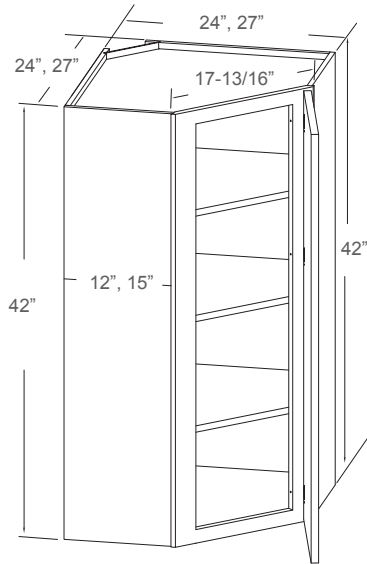


Features

- 1 Door
- 2 Adjustable Shelves

Item Code	Dimensions	Weight
WDC2430	24W x 30H x 12D	55 LB
WDC2436	24W x 36H x 12D	61 LB
WDC273615	27W x 36H x 15D	74 LB

Wall Diagonal Corner - 42"H



Features

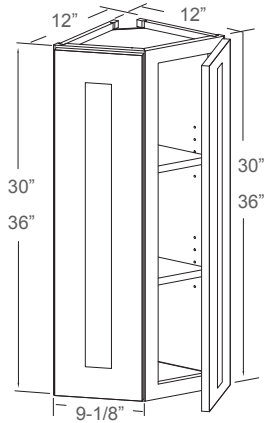
- 1 Door
- 3 Adjustable Shelves

Item Code	Dimensions	Weight
WDC2442	24W x 42H x 12D	72 LB
WDC274215	27W x 42H x 15D	87 LB

WALL CABINETS

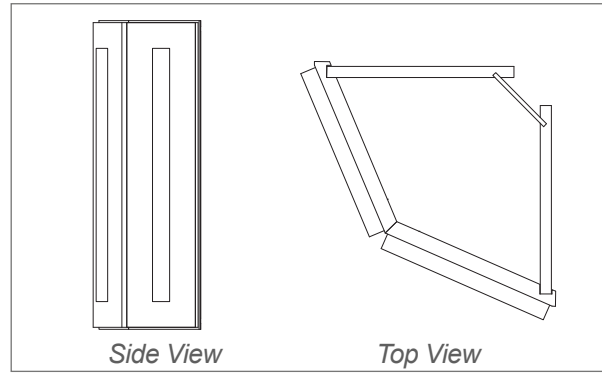


Wall End Corner - 30"H & 36"H



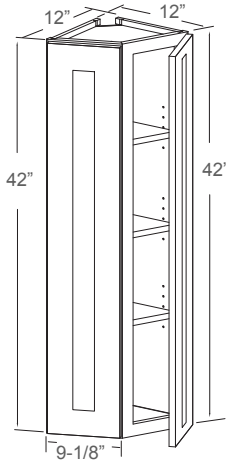
Features

- 2 Doors
- 2 Adjustable Shelves



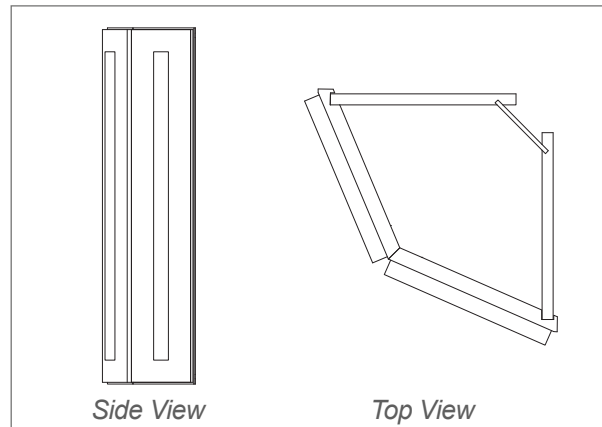
Item Code	Dimensions	Weight
WEC1230	12W x 30H x 12D	23 LB
WEC1236	12W x 36H x 12D	27 LB

Wall End Corner - 42"H



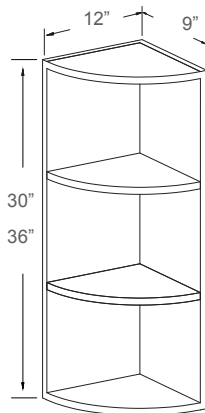
Features

- 2 Doors
- 3 Adjustable Shelves



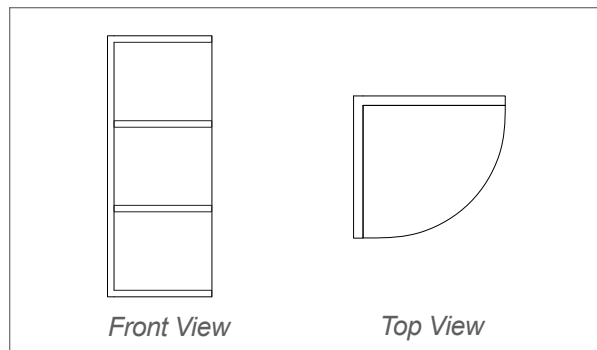
Item Code	Dimensions	Weight
WEC1242	12W x 42H x 12D	30 LB

Wall End Shelf - 30"H & 36"H



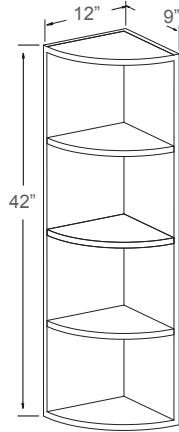
Features

- 3 Fixed Shelves
- Matching Color Finish



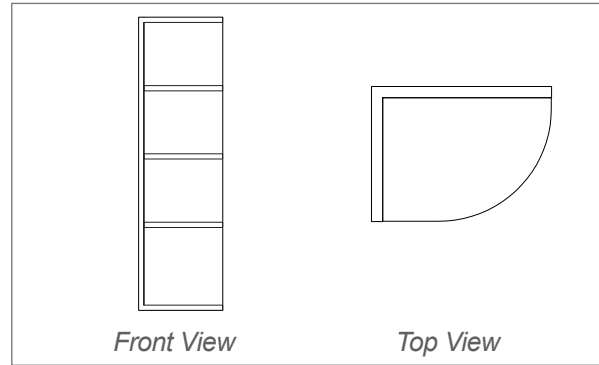
Item Code	Dimensions	Weight
WES0930L/R	9W x 30H x 12D	16 LB
WES0936L/R	9W x 36H x 12D	17 LB

Wall End Shelf - 42"H



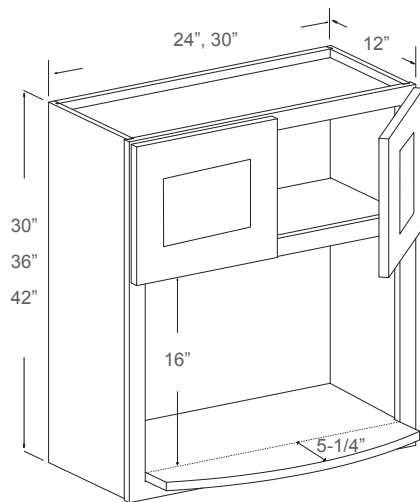
Features

- 4 Fixed Shelves
- Matching Color Finish



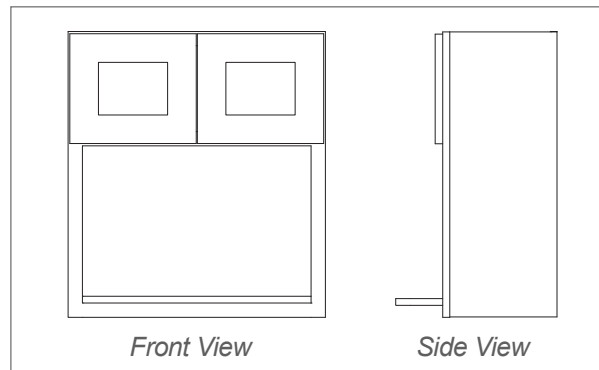
Item Code	Dimensions	Weight
WES0942L/R	9W x 42H x 12D	21 LB

Microwave - 30"H & 36"H & 42"H



Features

- 2 Doors
- No Shelf
- 1 Open Shelf with 16"H (Shelf overhang 5-1/4")
- Matching Color Finish



Item Code	Dimensions	Weight
* WBL2430	24W x 30H x 12D	28 LB
* WBL2436	24W x 36H x 12D	33 LB
* WBL2442	24W x 42H x 12D	39 LB

*Call First in: K10, K8, S1, A7, J5

* WBL3030	30W x 30H x 12D	42 LB
* WBL3036	30W x 36H x 12D	46 LB
* WBL3042	30W x 42H x 12D	51 LB

* Not Available in: H9, E1, E2, S5



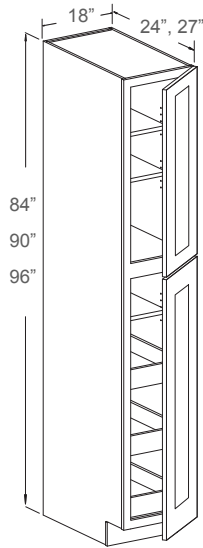
PANTRY & OVEN CABINETS



PANTRY & OVEN CABINETS



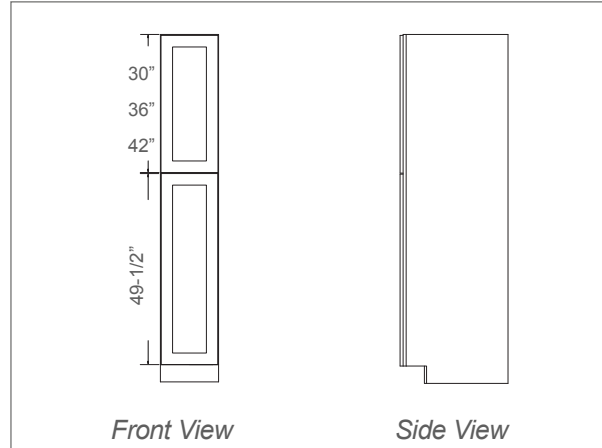
Pantry Cabinet - 84"H & 90"H & 96"H



Features

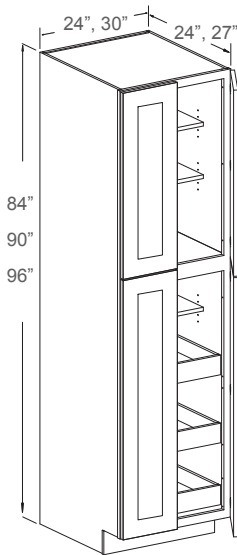
- 2 Doors
- 2 Adjustable Top Shelves
- 1 Adjustable Middle Shelf
- 3 Bottom Roll-Out Trays

Notes: 3 Adjustable Top Shelves In 96"H Cabinet.



Item Code	Dimensions	Weight
WP1884	18W x 84H x 24D	142 LB
WP188427	18W x 84H x 27D	154 LB
WP189027	18W x 90H x 27D	160 LB
WP189627	18W x 96H x 27D	165 LB

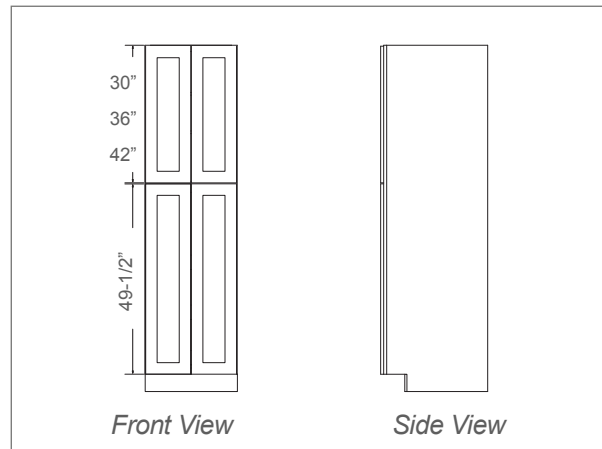
Pantry Cabinet - 84"H & 90"H & 96"H



Features

- 4 Doors
- 2 Adjustable Top Shelves
- 1 Adjustable Middle Shelf
- 3 Bottom Roll-Out Trays

Notes: 3 Adjustable Top Shelves In 96"H Cabinet.



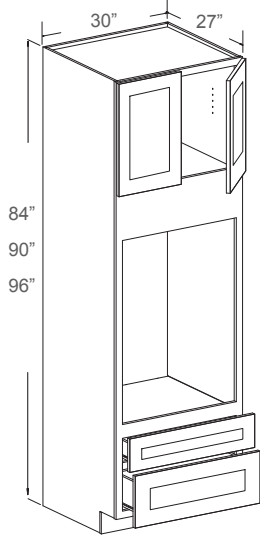
Item Code	Dimensions	Weight
WP2484	24W x 84H x 24D	157 LB
WP248427	24W x 84H x 27D	176 LB
WP308427	30W x 84H x 27D	196 LB
WP249027	24W x 90H x 27D	184 LB
WP309027	30W x 90H x 27D	211 LB
WP249627	24W x 96H x 27D	190 LB
WP309627	30W x 96H x 27D	225 LB

PANTRY & OVEN CABINETS



PANTRY & OVEN CABINETS

Tall Oven Cabinet - 84"H & 90"H & 96"H



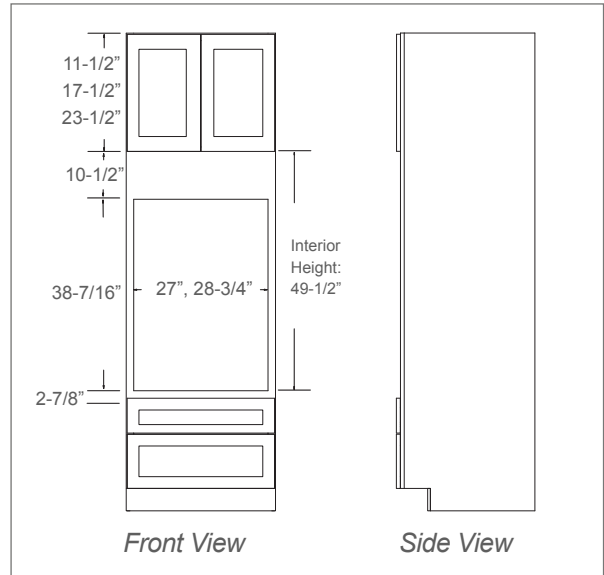
Features

- 2 Doors
- No Shelf
- 1 Large Open Shelf
38-7/16"H
- 1 Small Bottom Drawer
- 1 Large Bottom Drawer

Notes: 1 Adjustable Top Shelf In 96"H Cabinet

Opening Shelf Dimension	
30" Cab	27"W X 38-7/16"H

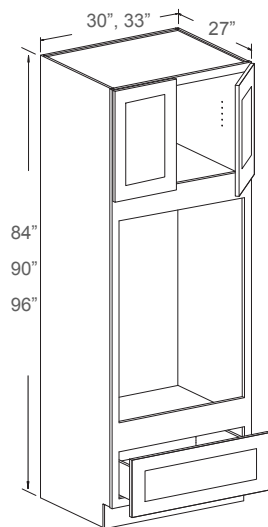
Door Style	Drawer Upper	Drawer Lower
K10, K3, K8, A7, M01	6"H	11-3/8"H
J5, S8, S1	7"H	10-7/8"H



Item Code	Dimensions	Weight
OC308427	30W x 84H x 27D	160 LB
OC309027	30W x 90H x 27D	170 LB
OC309627	30W x 96H x 27D	182 LB

Only Available in: S8, S1, M01, K8, K10, K3, A7, J5

Tall Oven Cabinet - 84"H & 90"H & 96"H



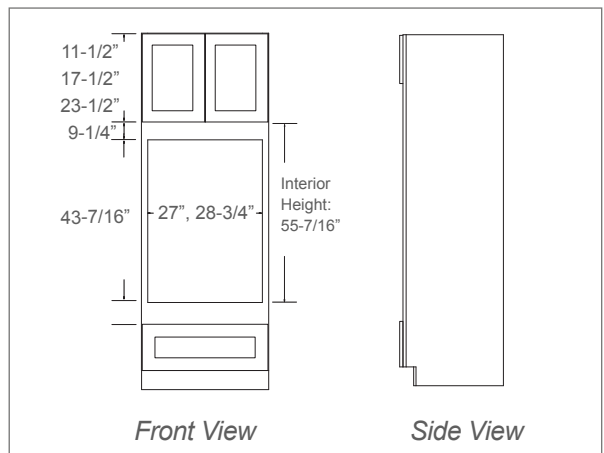
Features

- 2 Doors
- No Shelf
- 1 Large Open Shelf
43-7/16"H
- 1 Large Bottom Drawer

Notes: 1 Adjustable Top Shelf In 96"H Cabinet

Opening Shelf Dimension	
30" Cab	27"W X 43-7/16"H
33" Cab	28-3/4"W X 43-7/16"H

Door Style	Drawer
K10, K3, K8, A7, M01	11-3/8"H
J5, S8, S5, S1, H9, E1, E2	10-7/8"H



Item Code	Dimensions	Weight
OC308427WO	30W x 84H x 27D	132 LB
OC309027WO	30W x 90H x 27D	145 LB
OC309627WO	30W x 96H x 27D	158 LB
OC338427WO	33W x 84H x 27D	142 LB
OC339027WO	33W x 90H x 27D	155 LB
OC339627WO	33W x 96H x 27D	169 LB

30" Not Available in: H9, E1, E2, S5

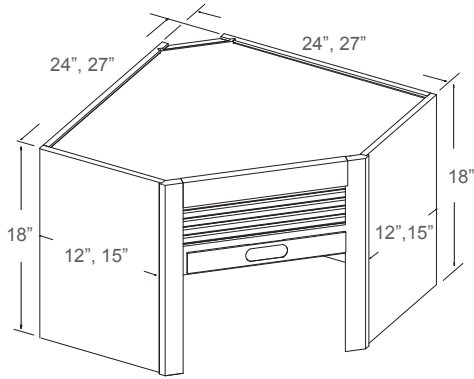
33" Call First: K10, K8, S1, J5, A7



STORAGE & ORGANIZATION



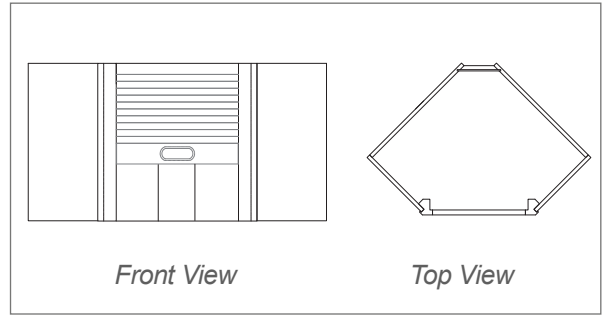
Appliance Garage



Features

- 1 Roll-Up Door
- No Shelf

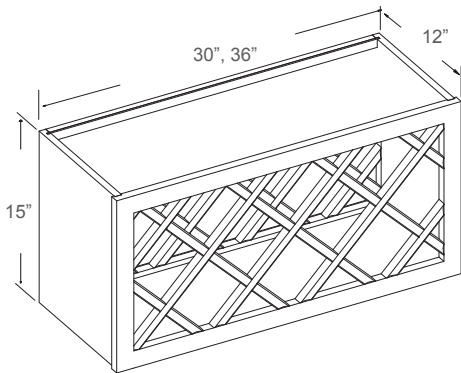
Notes: Use It With Wall Diagonal Cab. Install It After Countertop Is Installed.



Item Code	Dimensions	Weight
AG2418	24W x 18H x 12D	28 LB
AG2718	27W x 18H x 15D	31 LB

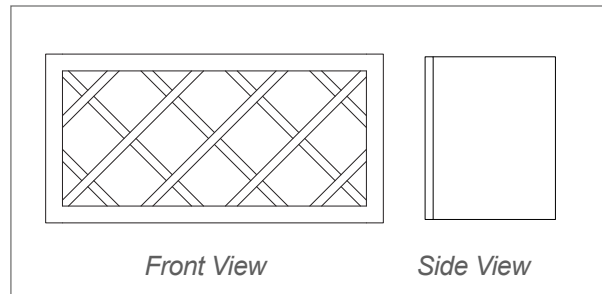
AG2718 Not Available in: H9, E1, E2, S5

Wine Rack



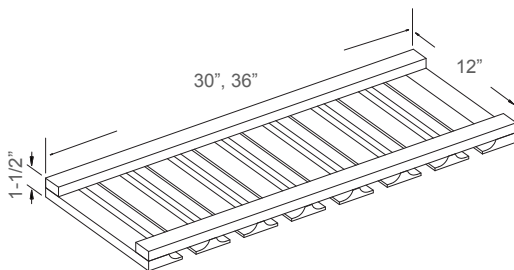
Features

- 10 Compartments in 30"W
- 14 Compartments in 36"W
- Matching Color Finish



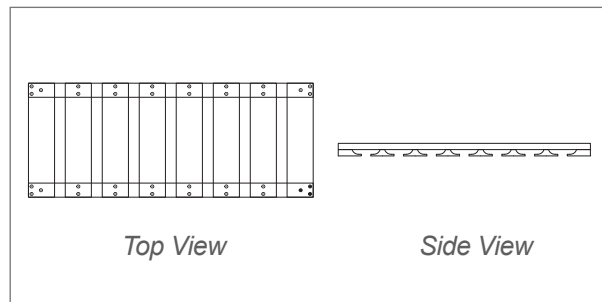
Item Code	Dimensions	Weight
30WR	30W x 15H x 12D	22 LB
36WR	36W x 15H x 12D	25 LB

Glass Rack



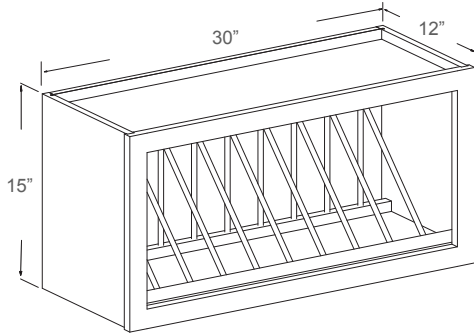
Features

- 7 Rail Openings in 30"W
- 9 Rail Openings in 36"W
- Matching Color Finish



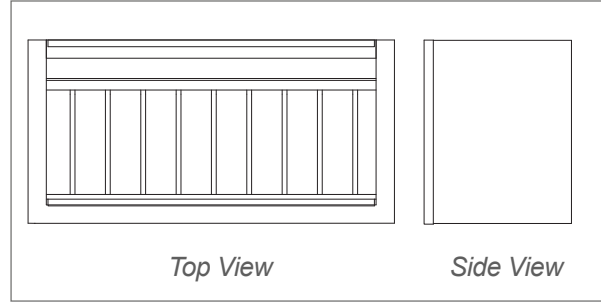
Item Code	Dimensions	Weight
30GR	30W x 1-1/2H x 12D	4 LB
36GR	36W x 1-1/2H x 12D	4 LB

Plate Rack



Features

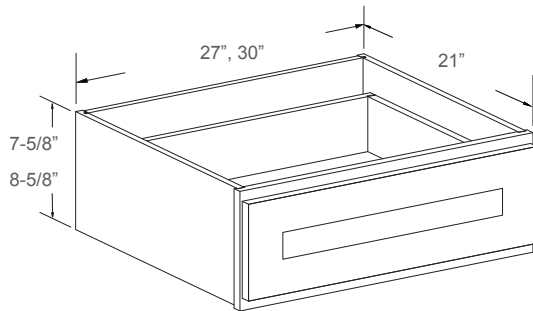
- 10 Plate Slots in 30"W
- Matching Color Finish



Item Code	Dimensions	Weight
WCD3015	30W x 15H x 12D	19 LB

Not Available in: H9, E1, E2, S5

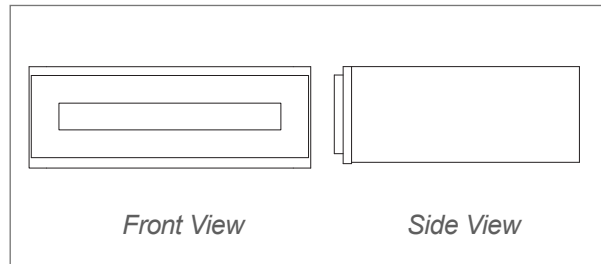
Knee Drawer



Features

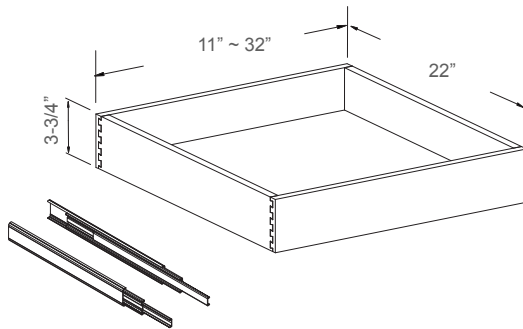
- 1 Drawer

Door style	Drawer Height
K10, K3, K8, A7, M01	6"
J5, S8, S5, S1, H9, E1, E2	7"



Item Code	Dimensions	Weight
FD27	27W x 21D	29 LB
FD30	30W x 21D	32 LB

Roll-Out Tray



Features

- Clear Coat Finish
- 1 Pair Of Ball Bearing Side Glides

Notes: For 24" Deep Cabinet only.

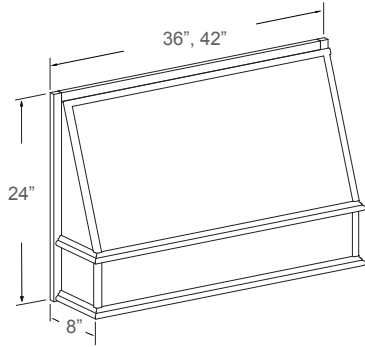
Item Code	Dimensions	Weight
RD15	11W x 3-3/4H x 22D	9 LB
RD18	14W x 3-3/4H x 22D	10 LB
RD21	17W x 3-3/4H x 22D	10 LB
RD24	20W x 3-3/4H x 22D	11 LB
RD30	26W x 3-3/4H x 22D	13 LB
RD36	32W x 3-3/4H x 22D	14 LB



HOODS & SPECIALTY CABINETS

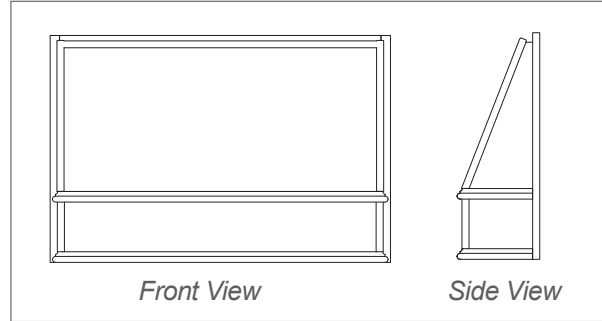


Range Wood Hood



Features

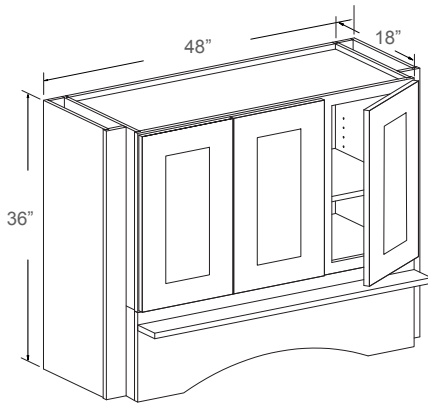
- RHE3624 - Inside Dimensions: 32.5W x 7.5H x 7.5D
- RHE4224 - Inside Dimensions: 38.5W x 7.5H x 7.5D



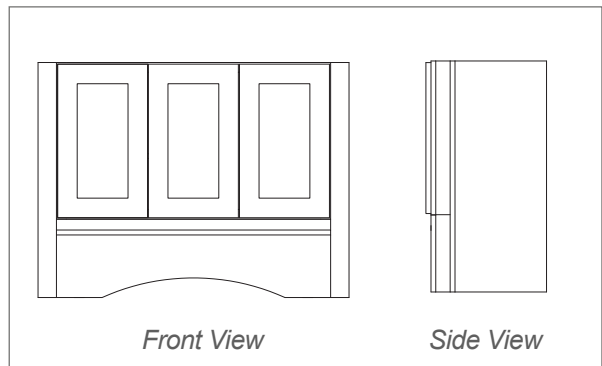
Item Code	Dimensions	Weight
RHE3624	36W x 24H x 8D	20 LB
RHE4224	42W x 24H x 8D	22 LB

RHE4224 Call First

Hearth Style Hood Combo



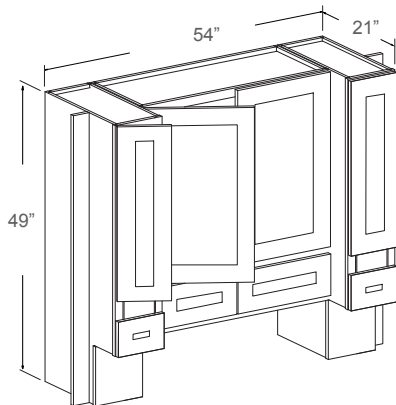
Notes: Corbels Sold Separately.



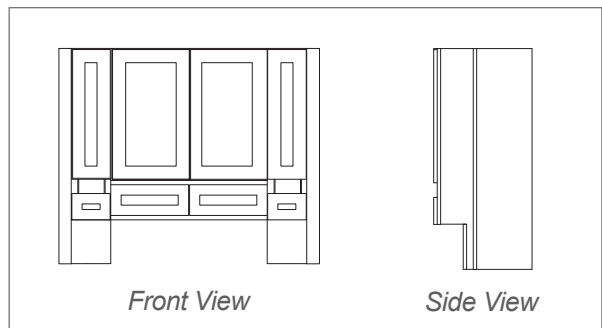
Item Code	Dimensions	Weight
RHS483618	48W x 36H x 18D	104 LB

Not Available in: E1, E2

Hearth Style Hood Combo



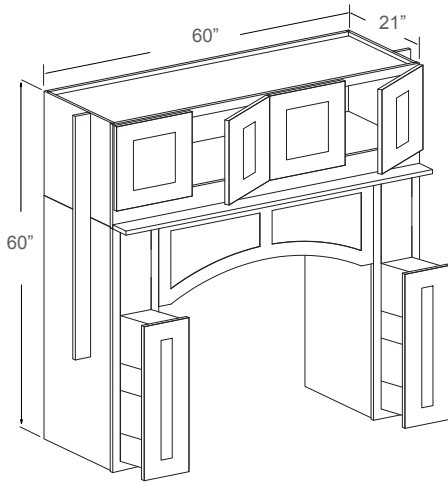
Notes: Corbels Sold Separately.



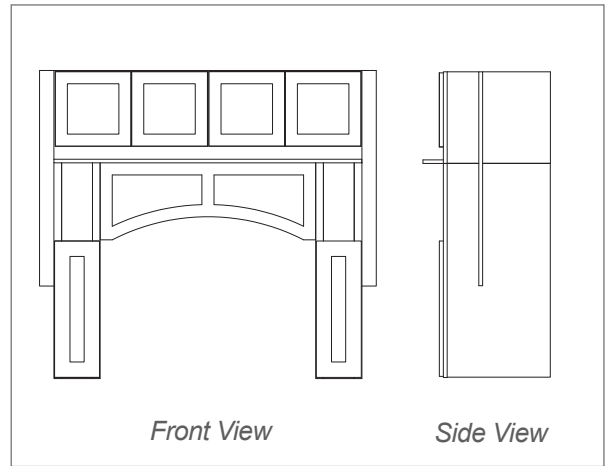
Item Code	Dimensions	Weight
RHS5449	54W x 49H x 21D	164 LB

Not Available in: E1, E2

Hearth Style Hood Combo



Notes: Corbels Sold Separately.



Item Code	Dimensions	Weight
RHS6060P	60W x 60H x 21D	175 LB

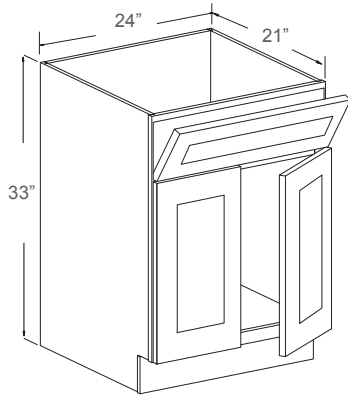
Not Available in: E1, E2



BATHROOM VANITIES



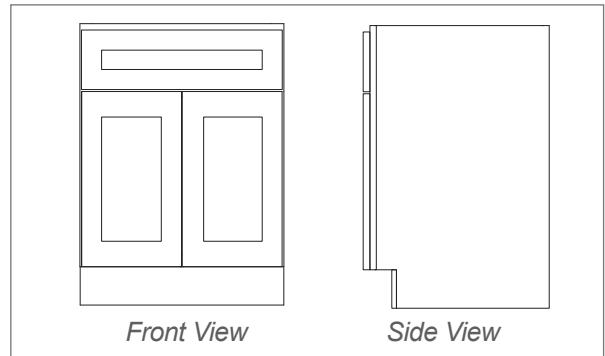
Vanity Sink Cabinet



Features

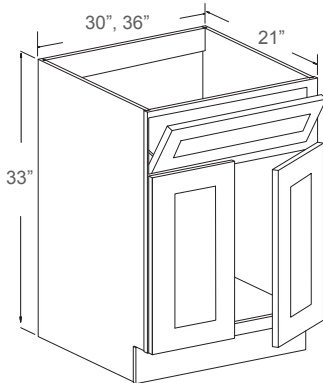
- 1 Tilt-Out Drawer With Tray
- 2 Doors
- No Shelf

Notes: Back Panel NOT Open



Item Code	Dimensions	Weight
SVA2421	24W x 33H x 21D	42 LB

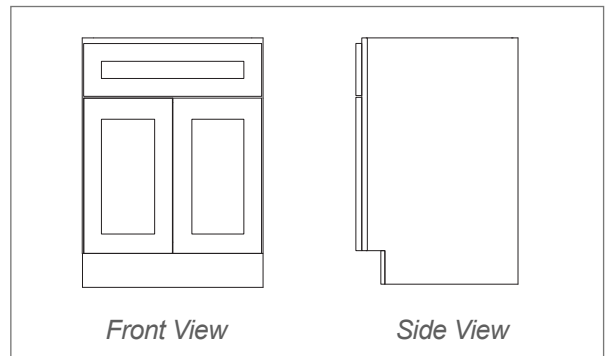
Vanity Sink Cabinet



Features

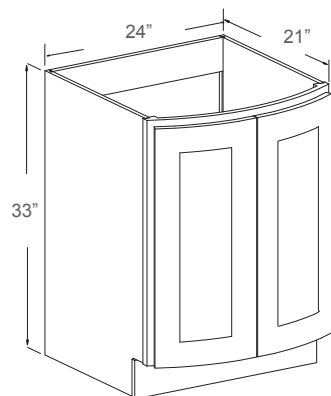
- 1 Tilt-Out Drawer With Tray
- 2 Doors
- No Shelf

Notes: Back Panel Open



Item Code	Dimensions	Weight
FA3021	30W x 33H x 21D	45 LB
FA3621	36W x 33H x 21D	51 LB

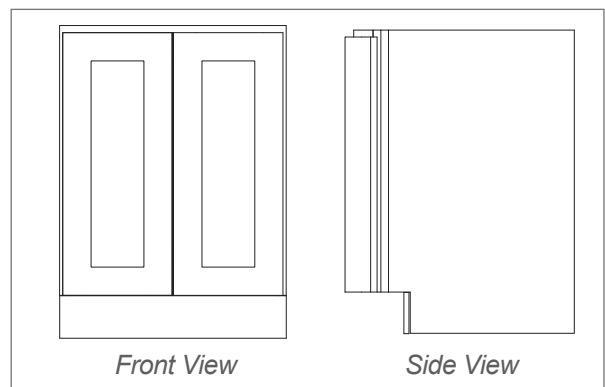
Vanity Sink Cabinet Curved Door



Features

- 2 Curved Doors
- No Shelf

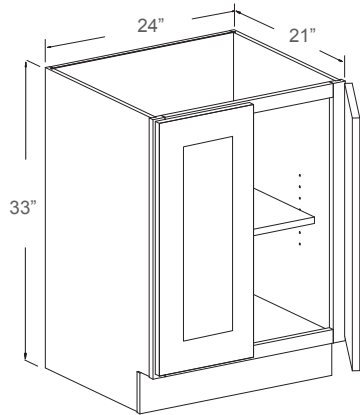
Notes: Back Panel Open



Item Code	Dimensions	Weight
FSVA24	24W x 33H x 21D	38 LB

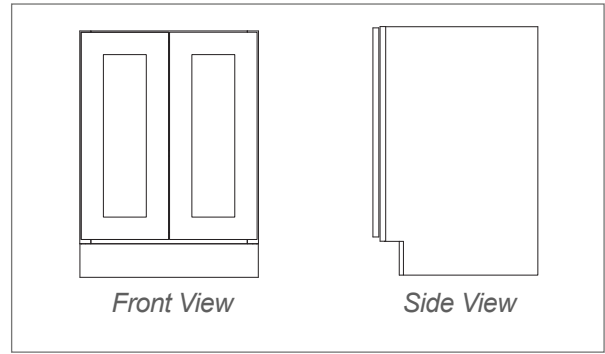
Only Available in: K10, K8, A7, J5, M01

Vanity Base Cabinet



Features

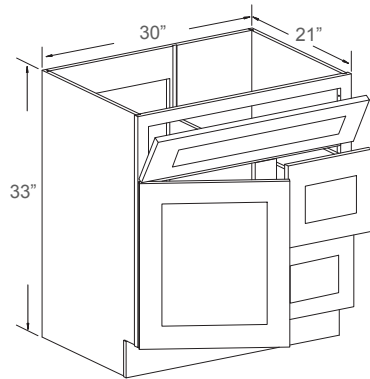
- 2 Doors
- 1 Adjustable Shelf



Item Code	Dimensions	Weight
SVA24P	24W x 33H x 21D	43 LB

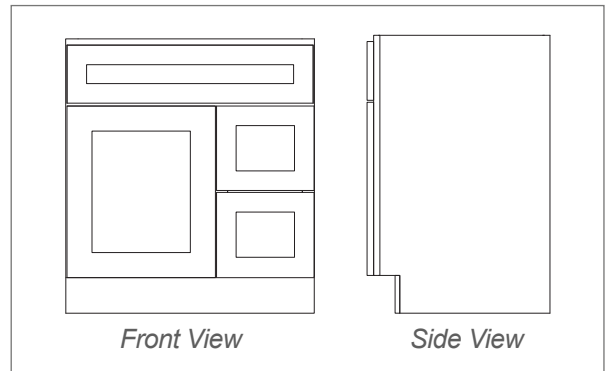
*Notes: Back Panel NOT Open
Only Available in: K10, K8, A7, J5, M01, S1*

Vanity Sink Cabinet



Features

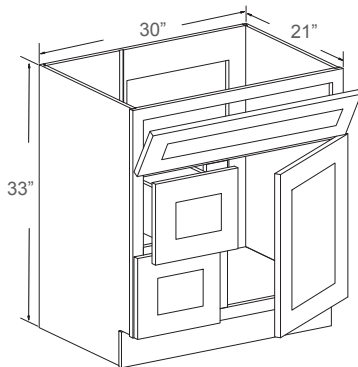
- 1 Tilt-Out Drawer With Tray
- 1 Door on Left
- 2 Drawers on Right
- No Shelf



Item Code	Dimensions	Weight
FA3021DL	30W x 33H x 21D	75 LB

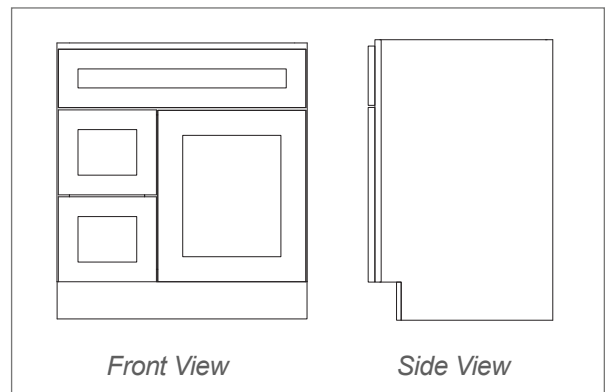
Notes: Back Panel Open On Left

Vanity Sink Cabinet



Features

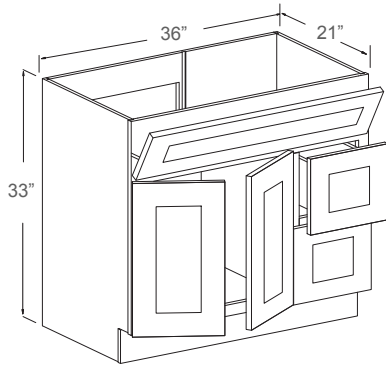
- 1 Tilt-Out Drawer With Tray
- 1 Door on Right
- 2 Drawers on Left
- No Shelf



Item Code	Dimensions	Weight
FA3021DR	30W x 33H x 21D	75 LB

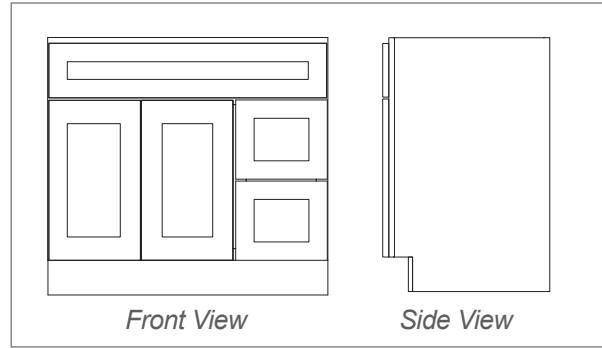
Notes: Back Panel Open On Right

Vanity Sink Cabinet



Features

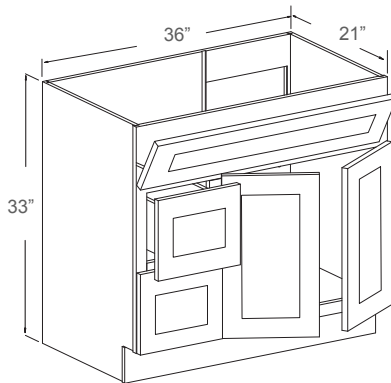
- 1 Tilt-Out Drawer With Tray
- 2 Drawers on Right
- 2 Doors on Left
- No Shelf



Item Code	Dimensions	Weight
FA3621DL	36W x 33H x 21D	80 LB

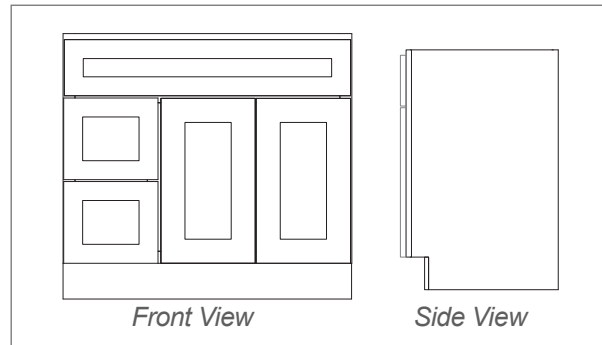
Notes: Back Panel Open On Left

Vanity Sink Cabinet



Features

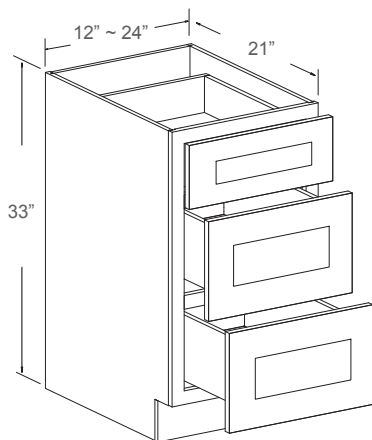
- 1 Tilt-Out Drawer With Tray
- 2 Drawers on Left
- 2 Doors on Right
- No Shelf



Item Code	Dimensions	Weight
FA3621DR	36W x 33H x 21D	80 LB

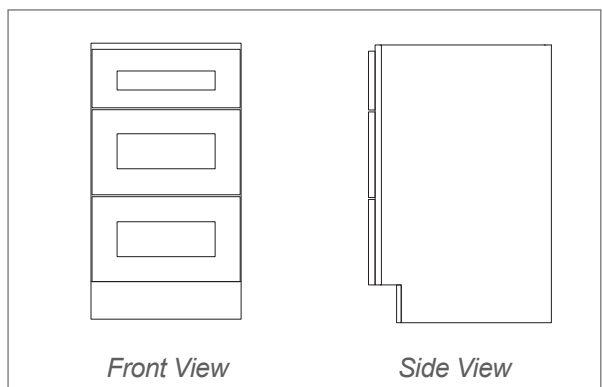
Notes: Back Panel Open On Right

Vanity Drawer Base



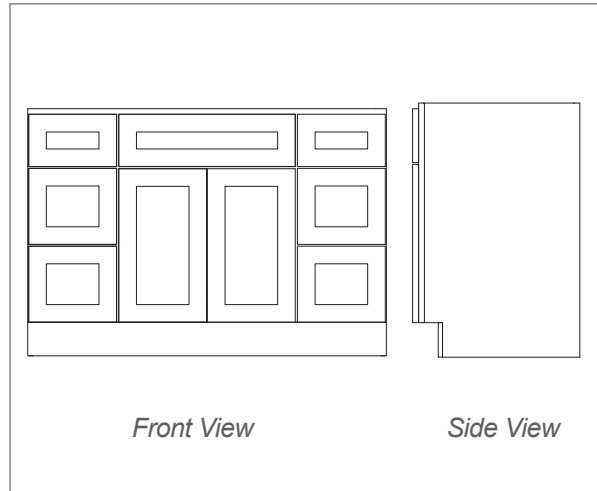
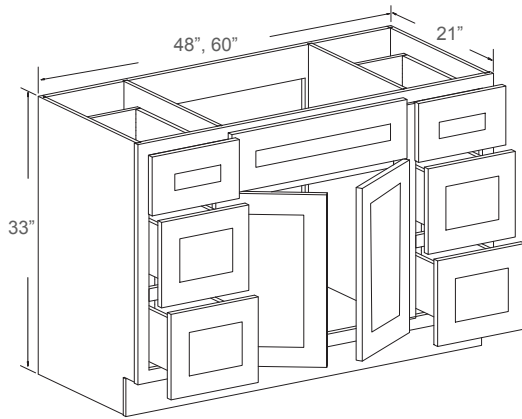
Features

- 1 Small Drawer
- 2 Large Drawers



Item Code	Dimensions	Weight
SVA12D	12W x 33H x 21D	60 LB
SVA15D	15W x 33H x 21D	66 LB
SVA18D	18W x 33H x 21D	70 LB
SVA24D	24W x 33H x 21D	79 LB

Vanity Single-Sink Combo



Features

- 1 Tilt-Out Drawer With Tray
- 6 Drawers
- 2 Doors
- No Shelf

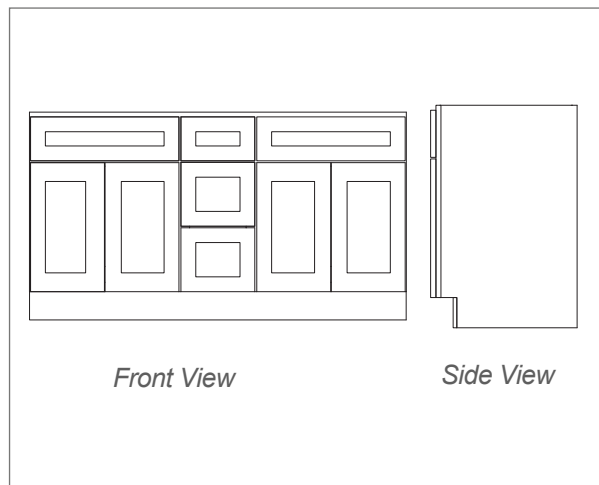
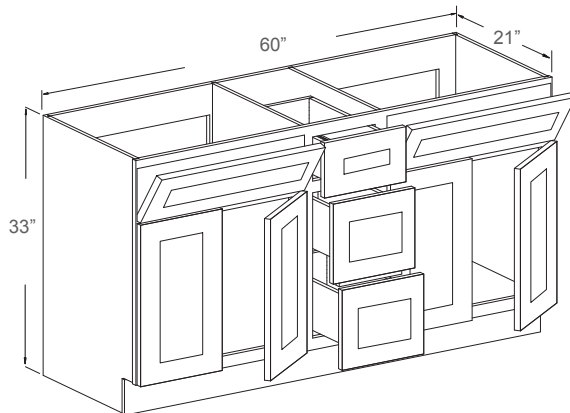
Notes: Back Panel Open In The Middle

Item Code	Dimensions	Weight
FA4821D	48W x 33H x 21D	140 LB
FA6021D	60W x 33H x 21D	154 LB

Alternatively: 48: SVA2421x1 & SVA12Dx2

60: FA3621x1 & SVA12Dx2

Vanity Double-Sink Combo



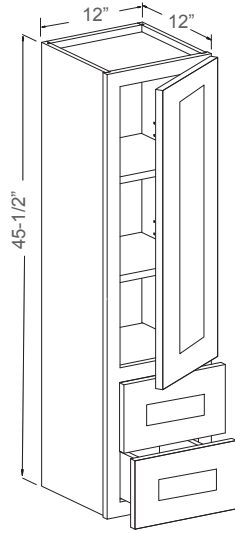
Features

- 2 Tilt-Out Drawers With Trays
- 3 Drawers
- 4 Doors
- No Shelf

Notes: Back Panel Open On Left And Right

Item Code	Dimensions	Weight
FA6021DD	60W x 33H x 21D	117 LB

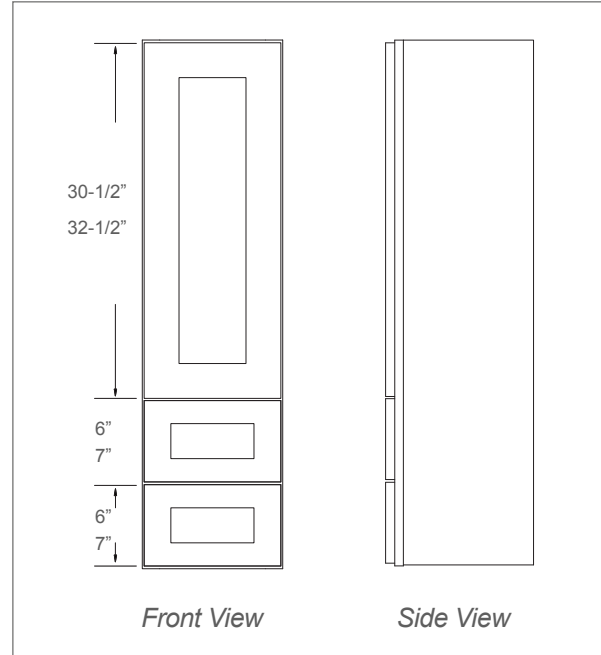
Alternatively: SVA2421x2 & SVA12Dx1



Features

- 1 Door
- 2 Adjustable Shelves
- 2 Small Drawers

Door style	Drawer Height
K10, K3, K8, A7, M01	6"
J5, S8, S5, S1, H9, E1, E2	7"



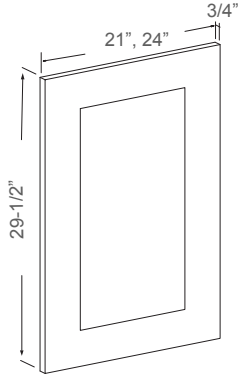
Item Code	Dimensions	Weight
DV1245	12W x 45-1/2H x 12D	42 LB

Call First: K10, K8, A7, M01, J5, S1

DUMMY DOORS, DRAWERS & REPLACEMENTS

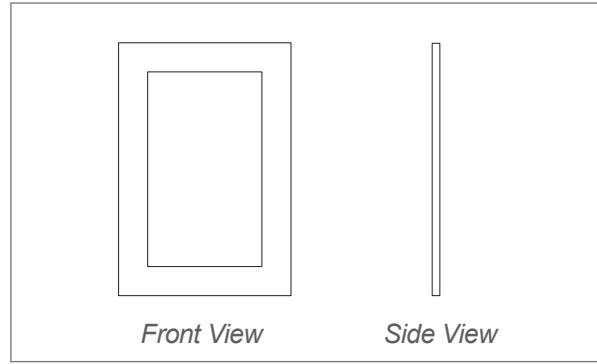


Dummy Door Panel



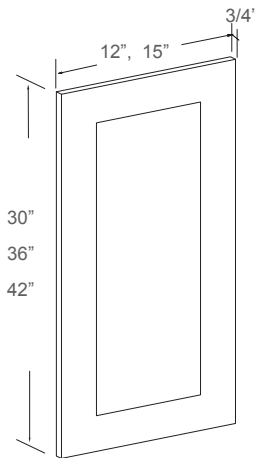
Features

- 1 Dummy Door Panel
- Notes: NOT For Replacement*



Item Code	Dimensions	Weight
BDD21	21W x 29-1/2H x 3/4D	9 LB
BDD24	24W x 29-1/2H x 3/4D	10 LB

Replacement Wall Door Panel - 30" H & 36" H & 42" H

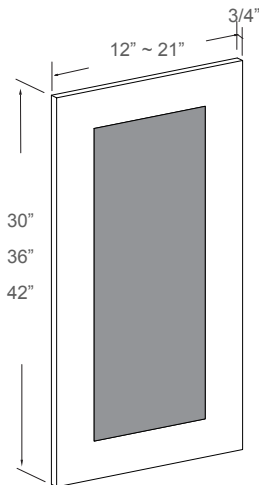


Features

- 1 Replacement Door Panel
- Predrilled Hinge Holes On The Back

Item Code	Dimensions	Weight
W1230F	12W x 30H x 3/4D	5 LB
W1530F	15W x 30H x 3/4D	7 LB
W1236F	12W x 36H x 3/4D	6 LB
W1242F	12W x 42H x 3/4D	7 LB

Replacement Glass Insert Door Panel - 30" H & 36" H & 42" H



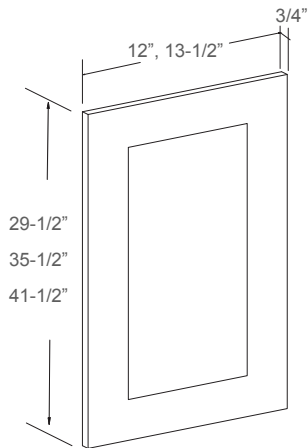
Features

- 1 Replacement Glass Insert Door Panel

Notes: Glass Inserts NOT Included

Item Code	Dimensions	Weight
WM1230	12W x 30H x 3/4D	3 LB
WM1530	15W x 30H x 3/4D	3 LB
WM1830	18W x 30H x 3/4D	4 LB
WM2130	21W x 30H x 3/4D	4 LB
WM1236	12W x 36H x 3/4D	3 LB
WM1536	15W x 36H x 3/4D	4 LB
WM1836	18W x 36H x 3/4D	4 LB
WM1242	12W x 42H x 3/4D	3 LB
WM1542	15W x 42H x 3/4D	4 LB
WM1842	18W x 42H x 3/4D	5 LB

Dummy Pantry Upper Door Panel



Features

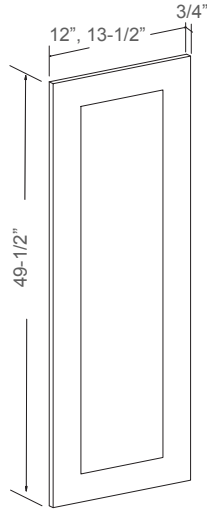
- 1 Dummy Door Panel

Notes: NOT For Replacement

Item Code	Dimensions	Weight
PDDU24-A	12W x 29-1/2H x 3/4D	7 LB
PDDU27-A	13-1/2W x 29-1/2H x 3/4D	8 LB
PDDU27-B	13-1/2W x 35-1/2H x 3/4D	10 LB
PDDU27-C	13-1/2W x 41-1/2H x 3/4D	12 LB

*Notes: A- upper door panel for 84"H pantry
 B- upper door panel for 90"H pantry
 C- upper door panel for 96"H pantry*

Dummy Pantry Lower Door Panel



Features

- 1 Dummy Door Panel

Notes: NOT For Replacement

Item Code	Dimensions	Weight
PDDL24	12W x 49-1/2H x 3/4D	8 LB
PDDL27	13-1/2W x 49-1/2H x 3/4D	9 LB

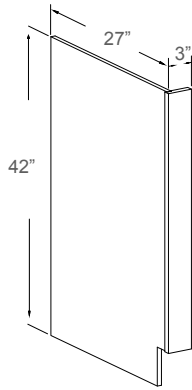
Notes: Need one pair of upper and one pair of lower door panels to create false door look on side of pantry.



PANELS & FILLERS



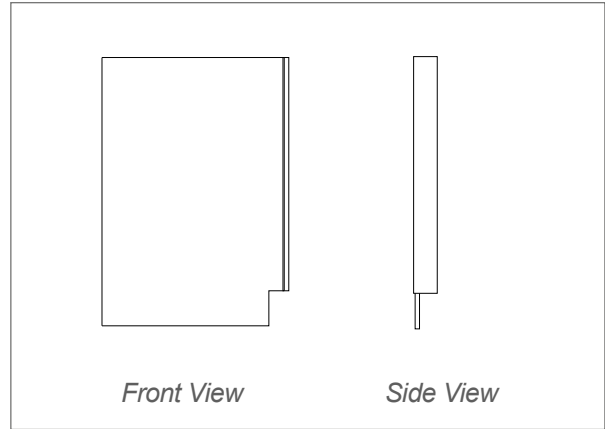
Dishwasher Panel with Return Filler (L/R)



Features

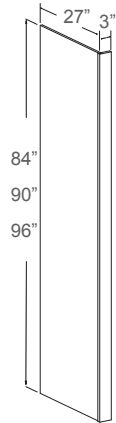
- 3" Return Filler
- 5/8" Thick Panel
- Matching Color on Filler

*Notes: Must be cut to size upon installing.
NOT Assembled & Toe Kick NOT Included.*



Item Code	Dimensions	Weight
DWR (L/R)	3W x 42H x 27D	12 LB

Refrigerator Panel with Return Filler



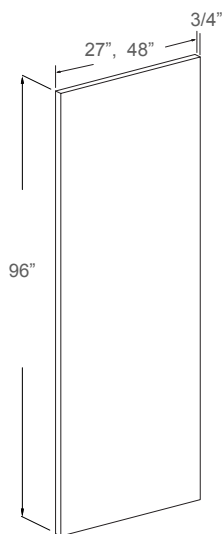
Notes: NOT Assembled

Features

- 3" Return Filler
- 5/8" Thick Panel
- Matching Color on Exterior
- Optional: 1-1/2" Return Filler Sold Separately (Item Code: CM34-1*1/2)

Item Code	Dimensions	Weight
RRP8427	3W x 84H x 27D	37 LB
RRP9027	3W x 90H x 27D	38 LB
RRP9627	3W x 96H x 27D	40 LB

Refrigerator Panel

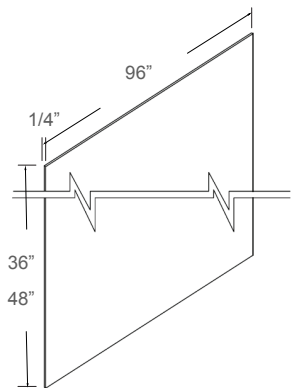


Features

- 3/4" Thick Panel
- 4 Side-Edge Banded
- Matching Color on All Sides & Surfaces

Item Code	Dimensions	Weight
RRP9627*3/4	3/4W x 96H x 27D	35 LB
RRP9648*3/4	3/4W x 96H x 48D	40 LB

Finished Skin Panel

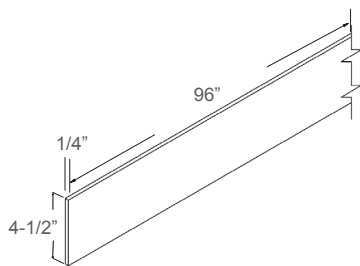


Features

- Matching Color on One Side

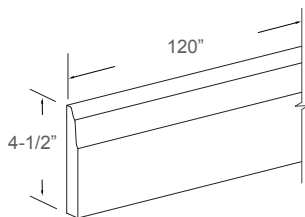
Item Code	Dimensions	Weight
BP9636	96W x 36H x 1/4D	12 LB
BP9648	96W x 48H x 1/4D	14 LB

Toe Kick



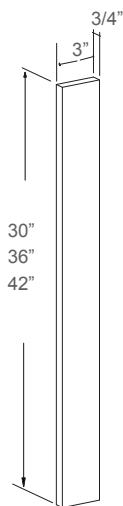
Item Code	Dimensions	Weight
TK8	4-1/2W x 96H x 1/4D	1.4 LB

Base Molding



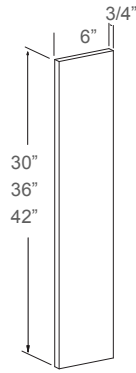
Item Code	Dimensions	Weight
BM10-4-1/2	4-1/2W x 120H x 3/4D	8 LB

Wall Filler



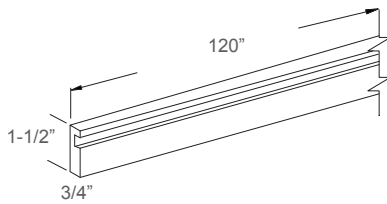
Item Code	Dimensions	Weight
WF330	3W x 30H x 3/4D	1 LB
WF336	3W x 36H x 3/4D	2 LB
WF342	3W x 42H x 3/4D	2 LB

Wall Filler



Item Code	Dimensions	Weight
WF630	6W x 30H x 3/4D	3 LB
WF636	6W x 36H x 3/4D	4 LB
WF642	6W x 42H x 3/4D	5 LB

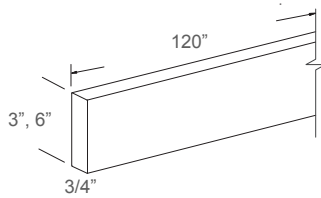
Tall Filler



Item Code	Dimensions	Weight
CM34-1-1/2	1-1/2W x 120H x 3/4D	3 LB

Notes: Grooved, can be used for Refrigerator Return and semi-custom cabinets (building customized face frames).

Tall Filler

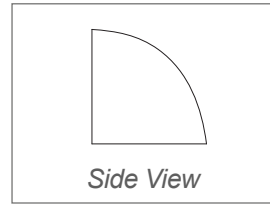
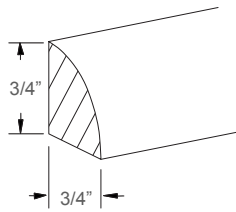


Item Code	Dimensions	Weight
CM34-3	3W x 120H x 3/4D	6 LB
CM34-6	6W x 120H x 3/4D	10 LB

MOLDINGS

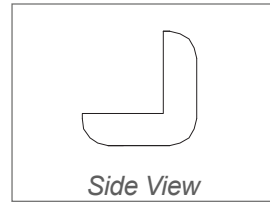
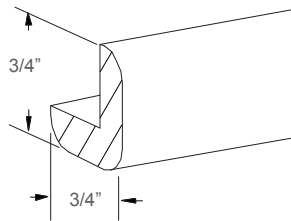


Quarter Round



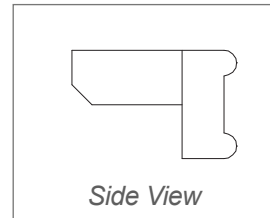
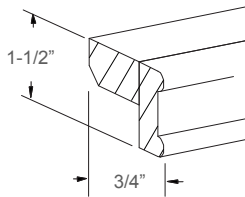
Item Code	Dimensions	Weight
QRM10	3/4H x 3/4D x 120L	1.3 LB

Outside Corner



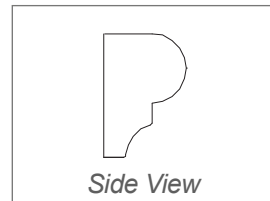
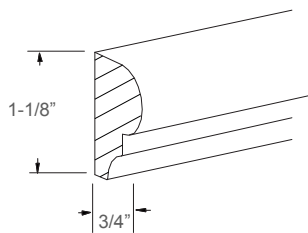
Item Code	Dimensions	Weight
OCM8	3/4H x 3/4D x 96L	0.7 LB

Traditional Light Rail



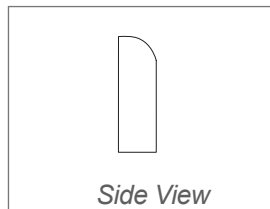
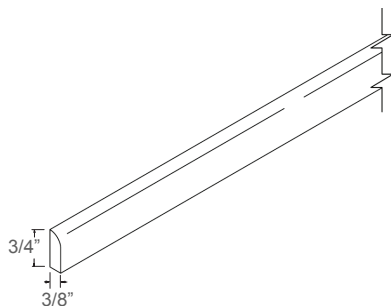
Item Code	Dimensions	Weight
TLR10-A	1-1/2H x 3/4D x 120L	5 LB

Chair Rail



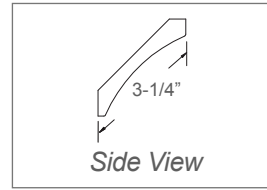
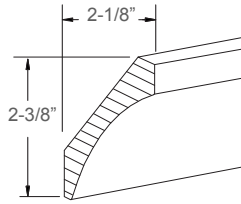
Item Code	Dimensions	Weight
CR10	1-1/8H x 3/4D x 120L	2 LB

Scribe



Item Code	Dimensions	Weight
SM8	3/4H x 3/8D x 96L	0.5 LB

Cove

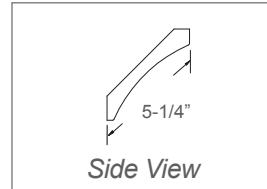
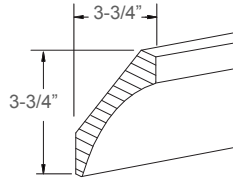


	Door style
Only available	S5, S8, E1, E2

Item Code	Dimensions	Weight
ST10	2-3/8H x 2-1/8D x 120L	4 LB

Call First: S1

Large Cove

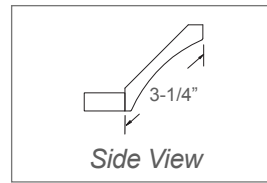
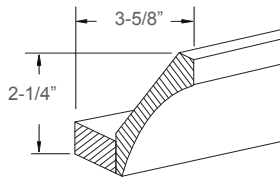


	Door style
Only available	E1, E2, S5, S8

Item Code	Dimensions	Weight
ST10-5 1/4	3-3/4H x 3-3/4D x 120L	4 LB

Call First: S1

Cove with Base

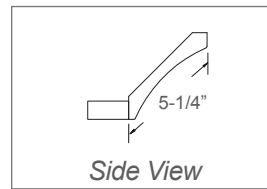
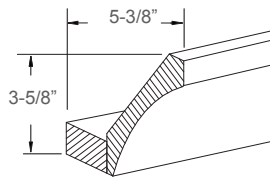


	Door style
Only available	S5, S8, E1, E2

Item Code	Dimensions	Weight
AST10-3 1/4	2-1/4H x 3-5/8D x 120L	7 LB

Call First: S1

Large Cove With Base

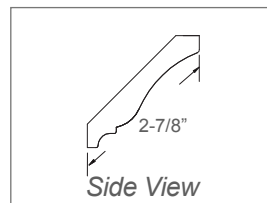
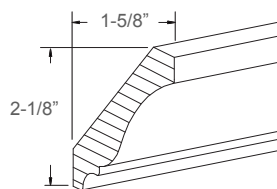


	Door style
Only available	E1, E2, S5, S8

Item Code	Dimensions	Weight
AST10-5 1/4	3-5/8H x 5-3/8D x 120L	9 LB

Call First: S1

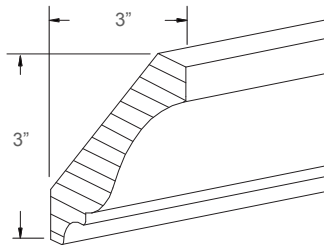
Crown



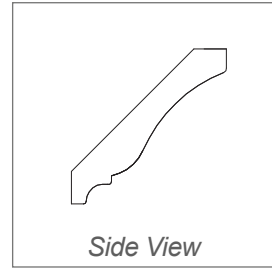
NOT Available For S5, S8, E1, E2

Item Code	Dimensions	Weight
CM10	2-1/8H x 1-5/8D x 120L	5 LB

Large Crown

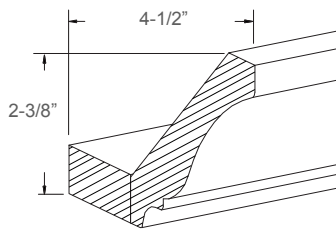


NOT Available For S5, S8, E1, E2

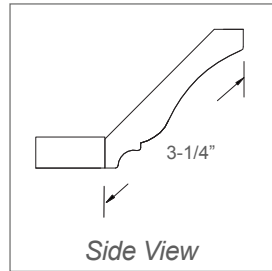


Item Code	Dimensions	Weight
CM10-5 1/4	5-1/4H x 3/4D x 120L	9 LB

Crown with Base

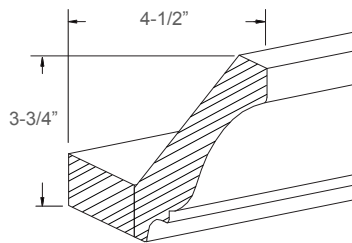


NOT Available For S5, S8, E1, E2

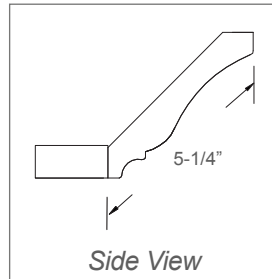


Item Code	Dimensions	Weight
ACM10-3 1/4	2-3/8H x 4-1/2D x 120L	8 LB

Large Crown with Base

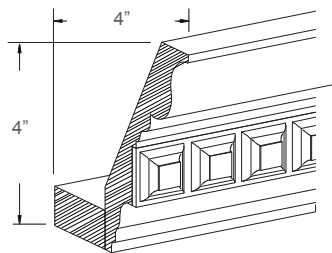


NOT Available For S5, S8, E1, E2

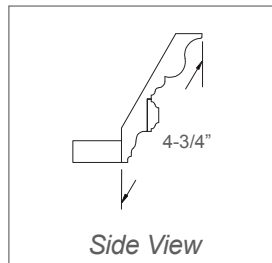


Item Code	Dimensions	Weight
ACM10-5 1/4	3-3/4H x 4-1/2D x 120L	12 LB

Dentil Crown with Base



Only Available For M01, K10, K8, A7, J5

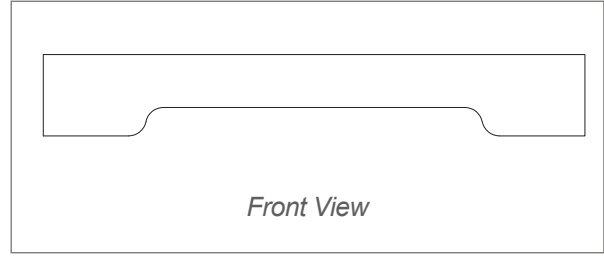
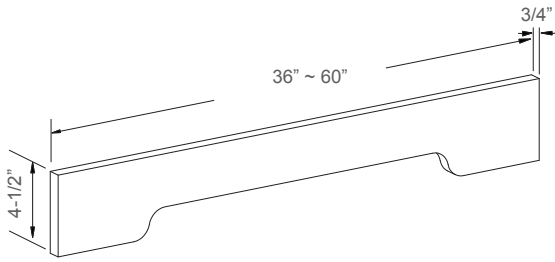


Item Code	Dimensions	Weight
CCM10-A	4H x 4D x 120L	10 LB

VALANCES & DECOR BLOCKS

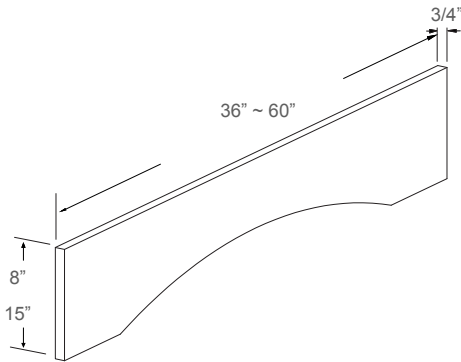


Arch Valance



Item Code	Dimensions	Weight
V36B	36W x 4-1/2H x 3/4D	2 LB
V42B	42W x 4-1/2H x 3/4D	3 LB
V48B	48W x 4-1/2H x 3/4D	3 LB
V54B	54W x 4-1/2H x 3/4D	3 LB
V60B	60W x 4-1/2H x 3/4D	4 LB

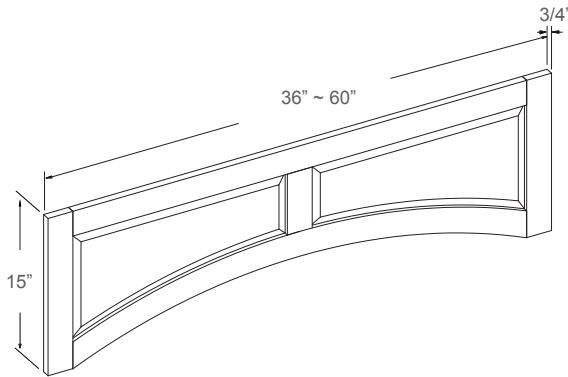
Arch Valance



Item Code	Dimensions	Weight
RPV36	36W x 8H x 3/4D	5 LB
RPV42	42W x 8H x 3/4D	6 LB
RPV48	48W x 8H x 3/4D	6 LB
RPV54	54W x 8H x 3/4D	7 LB
RPV60	60W x 15H x 3/4D	11 LB

Only Available in: S1, S8, S5, E1, E2

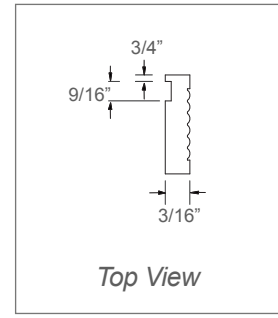
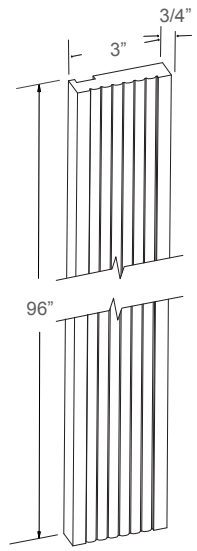
Arch Valance with Raised Panel



Item Code	Dimensions	Weight
RPV36-A	36W x 15H x 3/4D	7 LB
RPV42-A	42W x 15H x 3/4D	8 LB
RPV48-A	48W x 15H x 3/4D	9 LB
RPV54-A	54W x 15H x 3/4D	10 LB
RPV60-A	60W x 15H x 3/4D	11 LB

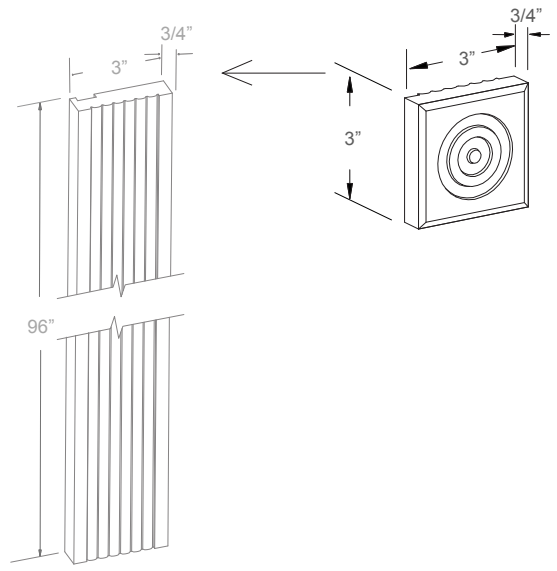
Not Available in: S1, S8, S5, E1, E2

Fluted Filler



Item Code	Dimensions	Weight
PCVFF3	3W x 96H x 3/4D	4 LB

Rosette Block



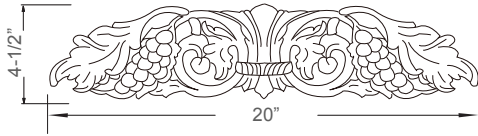
Item Code	Dimensions	Weight
FB3*3	3W x 3H x 3/4D	0.2 LB

Not Available in: S5, E1, E2

ONLAYS, CORBELS & POSTS



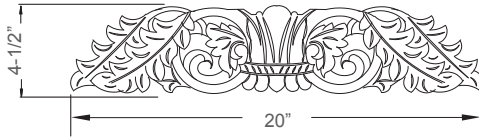
Grape Onlay



Item Code	Dimensions	Weight
GRPO	20W x 4-1/2H x 3/4D	1.2 LB

Only Available in: K10, K8, M01

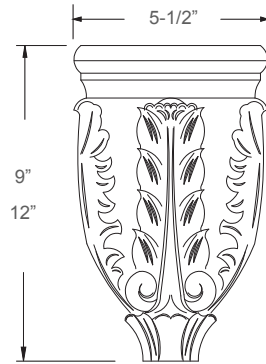
Leaf Onlay



Item Code	Dimensions	Weight
RRPO	20W x 4-1/2H x 3/4D	1.2 LB

Not Available in: E1, E2, S1, S8, K3

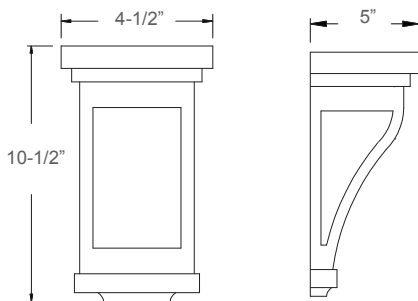
Leaf Corbel



Item Code	Dimensions	Weight
LC9	5-1/2W x 9H x 2-3/4D	2 LB
LC12	5-1/2W x 12H x 2-3/4D	2 LB

Not Available in: E1, E2, S5

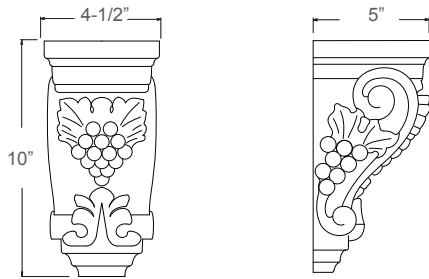
Mission Corbel



Item Code	Dimensions	Weight
SC58	4-1/2W x 10-1/2H x 5D	3 LB

Only Available in: S8, S1, S5, E1, E2, K3

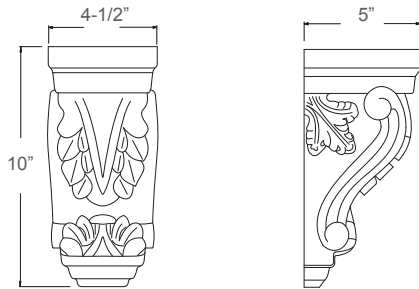
Grape Corbel



Item Code	Dimensions	Weight
GC58	4-1/2W x 10H x 5D	3 LB

Only Available in: K10, K8

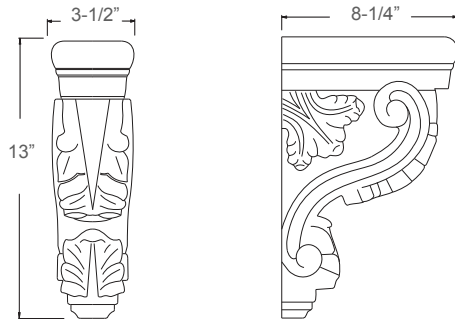
Acanthus Corbel



Item Code	Dimensions	Weight
RC58	4-1/2W x 10H x 5D	3 LB

Not Available in: E1, E2, S5, S8, S1, K3

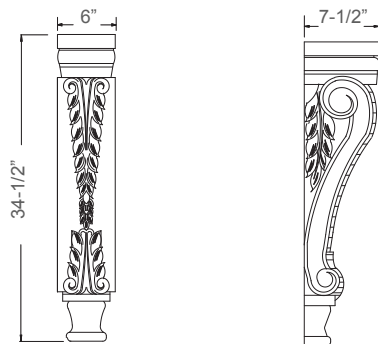
Acanthus Corbel



Item Code	Dimensions	Weight
RC313	3-1/2W x 13H x 8-1/4D	5 LB

Not Available in: E1, E2, S5, S8, S1, K3

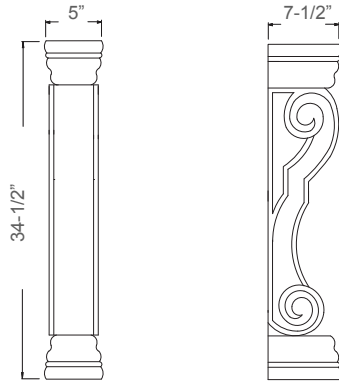
Large Acanthus Corbel



Item Code	Dimensions	Weight
CB34-1/2	6W x 34-1/2H x 7-1/2D	24 LB

Only Available in: J5, K8, K10, A7, M01

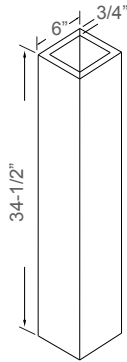
Roman Classic Corbel



Item Code	Dimensions	Weight
RCC6X7-1/2	6W x 34-1/2H x 7-1/2D	24 LB

Only Available in: H9

Plain Square Post



Item Code	Dimensions	Weight
PSP6X34-1/2	6W x 34-1/2H x 6D	13 LB

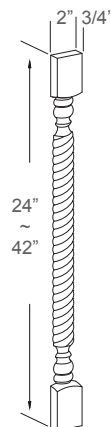
*Available in: S5, S8, E1, E2, K3
Call First: S1, K8*

Full Turn Post



Item Code	Dimensions	Weight
SP3X34-1/2	3W x 34-1/2H x 3D	5 LB

Twisted Split Turn Post



Item Code	Dimensions	Weight
RPS24	2W x 24H x 3/4D	0.7 LB
RPS30	2W x 30H x 3/4D	0.9 LB
RPS36	2W x 36H x 3/4D	1.1 LB
RPS42	2W x 42H x 3/4D	1.2 LB

RPS24 Only Available for M10, K8, K10, J5, A7



J&K Cabinetry Toronto

355 Garyray Dr. Toronto, ON, M9L 1P6

T : 1.416.749.7490

F : 1.416.749.7491

E: info@jandkcabinetryto.com

Armoires de Cuisine J&K

1925 52e Avenue, Lachine, QC, H8T 3C3

T : 1.514.633.9899

F : 1.514.633.1622

E: info@jandkcabinetryqc.com